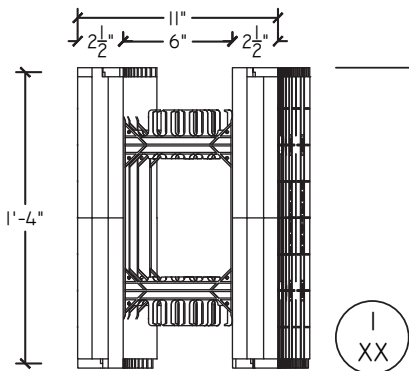
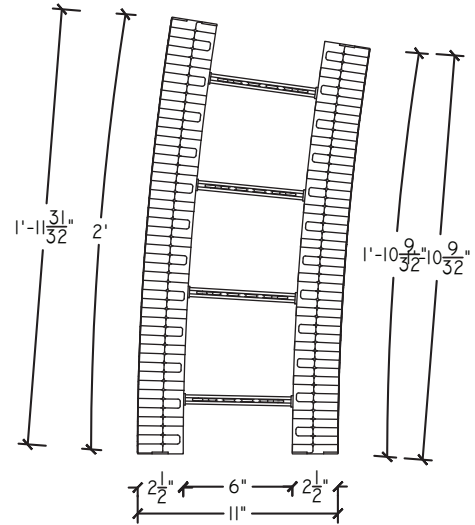
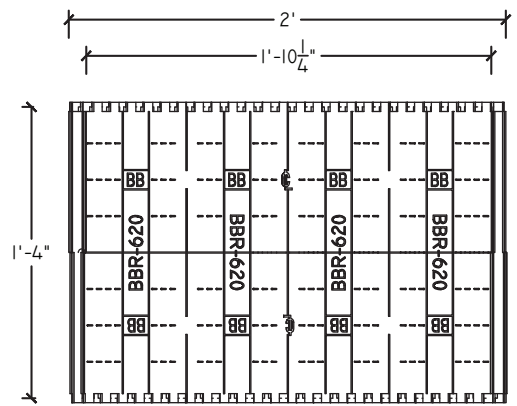


I
XX TOP VIEW
SCALE: NTS

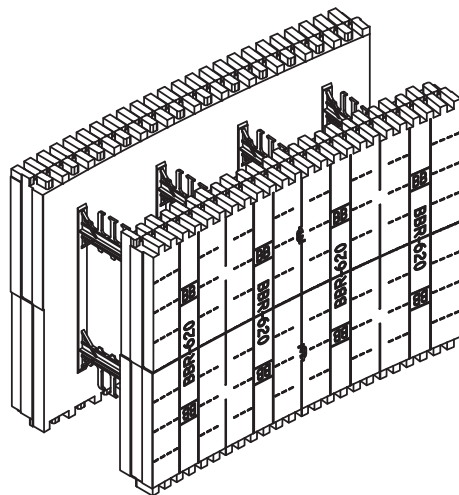
NOTES:
 BUILDRADIUS FORMS ARE SIZED BY THE LENGTH OF THE OUTER PANEL AT A 90° ARC. THE RADIUS AND DIAMETER OF THE FORMS ARE GIVEN IN THE ACCOMPANYING CHART.
 TO CREATE A RUNNING BOND WHEN INTEGRATING WITH A STRAIGHT BLOCK WALL, CUT THE FORM IN HALF, VERTICALLY AT THE CENTERLINE () USING ONE HALF OF THE BLOCK AT EACH END ON EVERY OTHER COURSE. BLOCKS STACK @ 1'-4" INCREMENTS



I
XX END VIEW
SCALE: NTS



I
XX SIDE VIEW
SCALE: NTS



I
XX PERSPECTIVE VIEW
SCALE: NTS

20FT BUILDRADIUS FORM SPECIFICATIONS		
	IMPERIAL	METRIC
BLOCK ANGLE	9°	9°
OUTSIDE PANEL AREA	2.67FT ²	.2477M ²
INSIDE PANEL AREA	2.47FT ²	.229M ²
OUTER PANEL ARC LENGTH	2-FT 0-IN	60.96M
INNER PANEL ARC LENGTH	1-FT 10-1/4-IN	57CM
OUTER RADIUS	12-FT 8-13/16-IN	388.08CM
INNER RADIUS	9-FT 3-1/4-IN	360.27CM
STRAIGHT SECTION LENGTHS	0-IN	0-CM
CONCRETE VOLUME	0.048606 YD ³	0.036397 M ³



9705 N. BROADWAY EXTENSION, SUITE 200, OKLAHOMA CITY, OK 73114
 OFFICE: 405-840-3386 | TOLL FREE: 866-222-2575 | FAX: 831-597-0792
 BUILDBLOCK.COM

BUILDRADIUS 20-FOOT ARC RADIUS PRODUCT DETAIL

DATE/REV	8/2016	SCALE	NTS	DETAIL SHEET
----------	--------	-------	-----	--------------

NOTES

CONSTRUCTION SHALL BE IN ACCORDANCE WITH ALL APPLICABLE LOCAL AND NATIONAL CODES. ALL DRAWINGS ARE SUBJECT TO CHANGE WITHOUT NOTICE.

65F