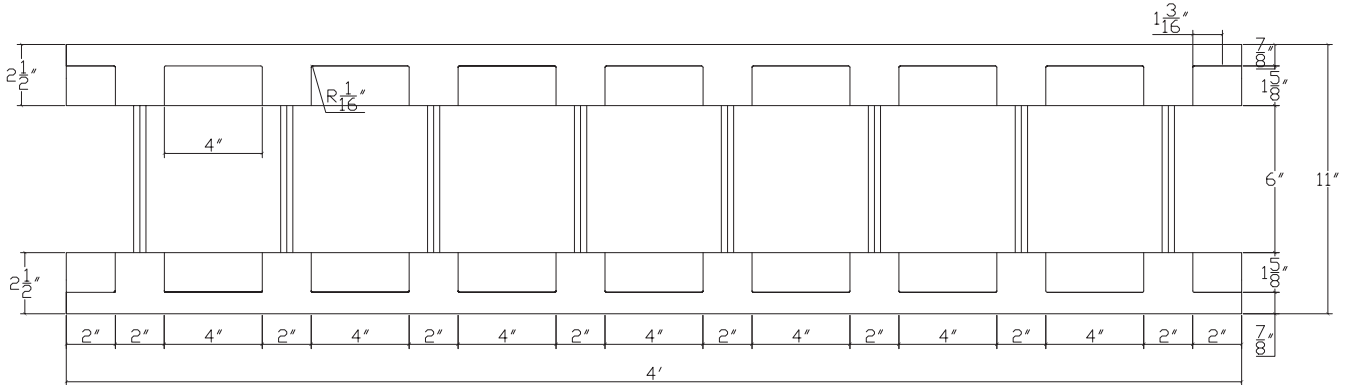
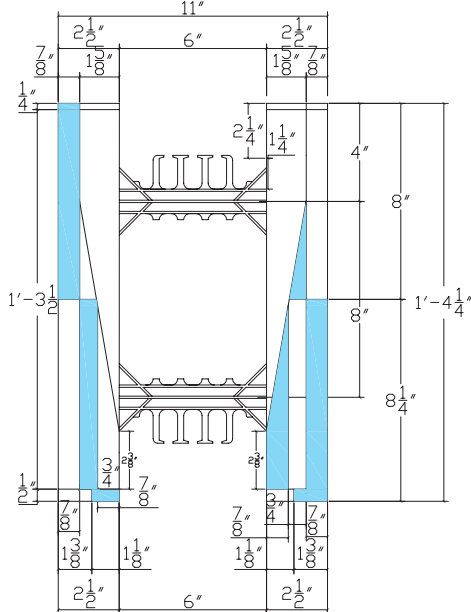


3 FRONT VIEW  
01 SCALE: 1 1/2" = 1'-0"

\*BLOCKS STACK @1'-4" (16") INCREMENTS



2 TOP / BOTTOM VIEW  
01 (REVERSIBLE)  
SCALE: 1 1/2" = 1'-0"



1 SIDE VIEW  
01 SCALE: 1 1/2" = 1'-0"

LEGEND

- = POSITIVE PROFILES (TOUNGES)
- = NEGATIVE PROFILES (GROOVES)

NOTE:

THE BLUE AREA INSIDE THE RED IS SOLID BELOW THE RED



6" TAPER TOP BLOCK

DATE/REV	11-06-06	SCALE	NTS
NOTES			

DETAIL SHEET

9705 N. BROADWAY EXTENSION, SUITE 200, OKLAHOMA CITY, OK 73114  
OFFICE: 405-840-3386 | TOLL FREE: 866-222-2575 | FAX: 831-597-0792  
BUILDBLOCK.COM

CONSTRUCTION SHALL BE IN ACCORDANCE WITH ALL APPLICABLE LOCAL AND NATIONAL CODES. ALL DRAWINGS ARE SUBJECT TO CHANGE WITHOUT NOTICE.

**5B**