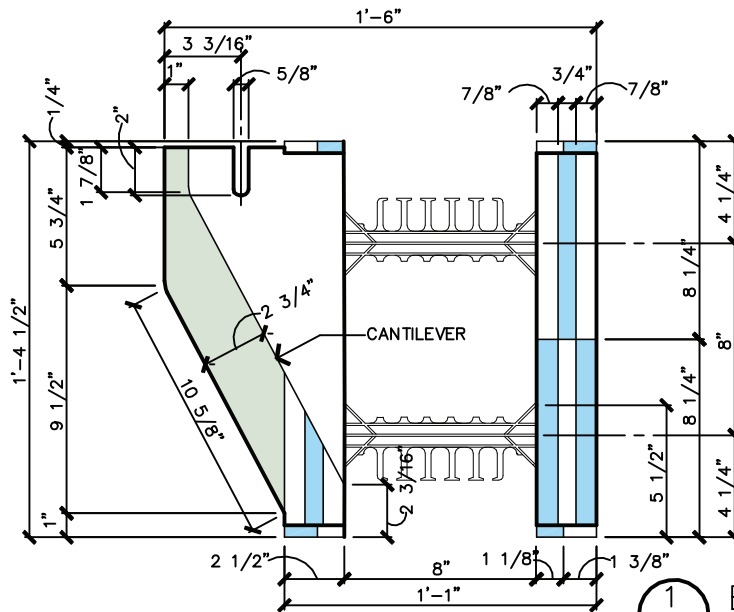


2 TOP VIEW
05 SCALE: 1 1/2" = 1'-0"



1 END VIEW
05 SCALE: 1 1/2" = 1'-0"

LEGEND

- = POSITIVE PROFILES (TOUNGES)
- = NEGATIVE PROFILES (GROOVES)
- = BASELINE

NOTE:

DUE TO VARIATIONS IN SELECTED PRINTER SETTINGS, NOTED SCALES MAY NO LONGER BE APPLICABLE



8" LEDGE BLOCK

DATE/REV	02-09-06	SCALE	NTS
NOTES			

DETAIL SHEET

9705 N. BROADWAY EXTENSION, SUITE 200, OKLAHOMA CITY, OK 73114
OFFICE: 405-840-3386 | TOLL FREE: 866-222-2575 | FAX: 831-597-0792
BUILDBLOCK.COM

CONSTRUCTION SHALL BE IN ACCORDANCE WITH ALL APPLICABLE LOCAL AND NATIONAL CODES. ALL DRAWINGS ARE SUBJECT TO CHANGE WITHOUT NOTICE.

5A