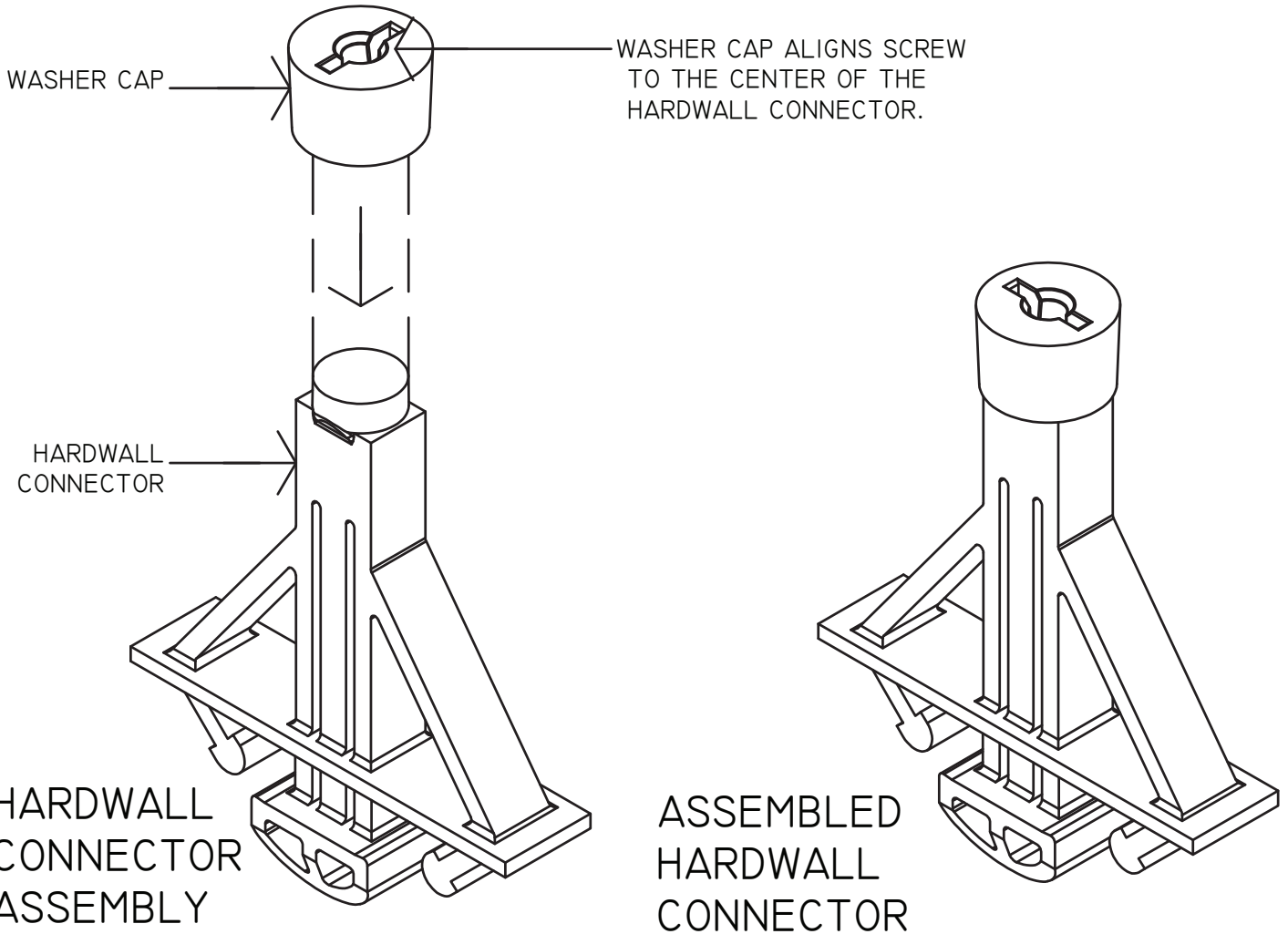



BUILDBLOCK HARDWALL IS A TWO PART ASSEMBLY ALLOWING CONNECTION OF PLYWOOD FORMING MATERIAL TO A BUILDLOCK KNOCKDOWN PANEL. THIS CREATES A CONCRETE FACED WALL WITH A BUILT IN INSULATION LAYER. THIS SOLUTION IS APPROPRIATE FOR STAIRWELLS, ELEVATOR SHAFTS, BASEMENT PARKING, AND LOWER WALL SECTIONS IN MANUFACTURING AND WAREHOUSE FACILITIES WHERE IMPACT RESISTANCE, DURABILITY OR REMOVAL OF ALL FLAMMABLE MATERIAL IS DESIRED OR REQUIRED.



HARDWALL CONNECTOR ASSEMBLY:

1. SEPARATE THE WASHER CAP FROM THE HARDWALL CONNECTOR BY REMOVING THE SMALL TAB CONNECTING THE 2 PARTS.
2. PRESS THE CUP OF THE WASHER CAP ONTO THE END OF THE HARDWALL CONNECTOR FULLY.
3. TO FULLY EMBED THE CONNECTOR INTO THE WASHER IT MAY BE NECESSARY TO PRESS IT FIRMLY AGAINST A HARD SURFACE.

	BUILDBLOCK HARDWALL CONNECTOR DETAIL			
	DATE/REV	12/2015	SCALE NTS	DETAIL SHEET
	NOTES			64B
9705 N. BROADWAY EXTENSION, SUITE 200, OKLAHOMA CITY, OK 73114 OFFICE: 405-840-3386 TOLL FREE: 866-222-2575 FAX: 831-597-0792 BUILDBLOCK.COM		CONSTRUCTION SHALL BE IN ACCORDANCE WITH ALL APPLICABLE LOCAL AND NATIONAL CODES. ALL DRAWINGS ARE SUBJECT TO CHANGE WITHOUT NOTICE.		