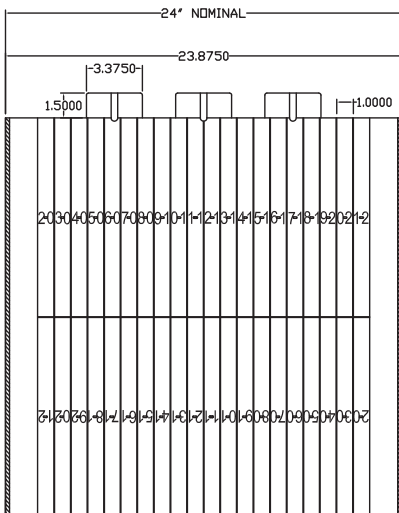
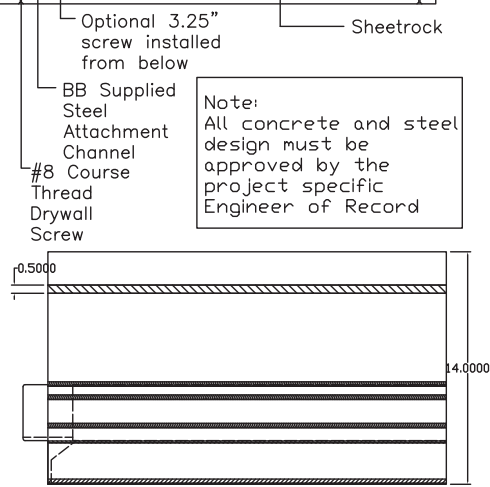
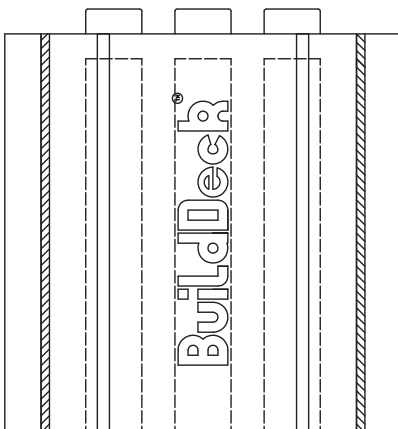


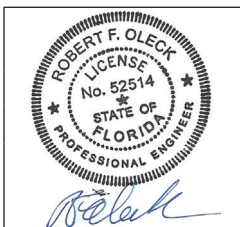
(BuildDeck Panel + Steel Attach. Strip)



BuildDeck BD-1200



Note:
All concrete and steel design must be approved by the project specific Engineer of Record



BB BuildBlock
BUILDING SYSTEMS

9705 N. BROADWAY EXTENSION, SUITE 200, OKLAHOMA CITY, OK 73114
OFFICE: 405-840-3386 | TOLL FREE: 866-222-2575 | FAX: 831-597-0792
BUILDBLOCK.COM

BUILDDECK 12" + 8" FOAM TOP HAT			
DATE/REV	11-17-09	SCALE	NTS
NOTES	BD-12+2		
CONSTRUCTION SHALL BE IN ACCORDANCE WITH ALL APPLICABLE LOCAL AND NATIONAL CODES. ALL DRAWINGS ARE SUBJECT TO CHANGE WITHOUT NOTICE.			5J