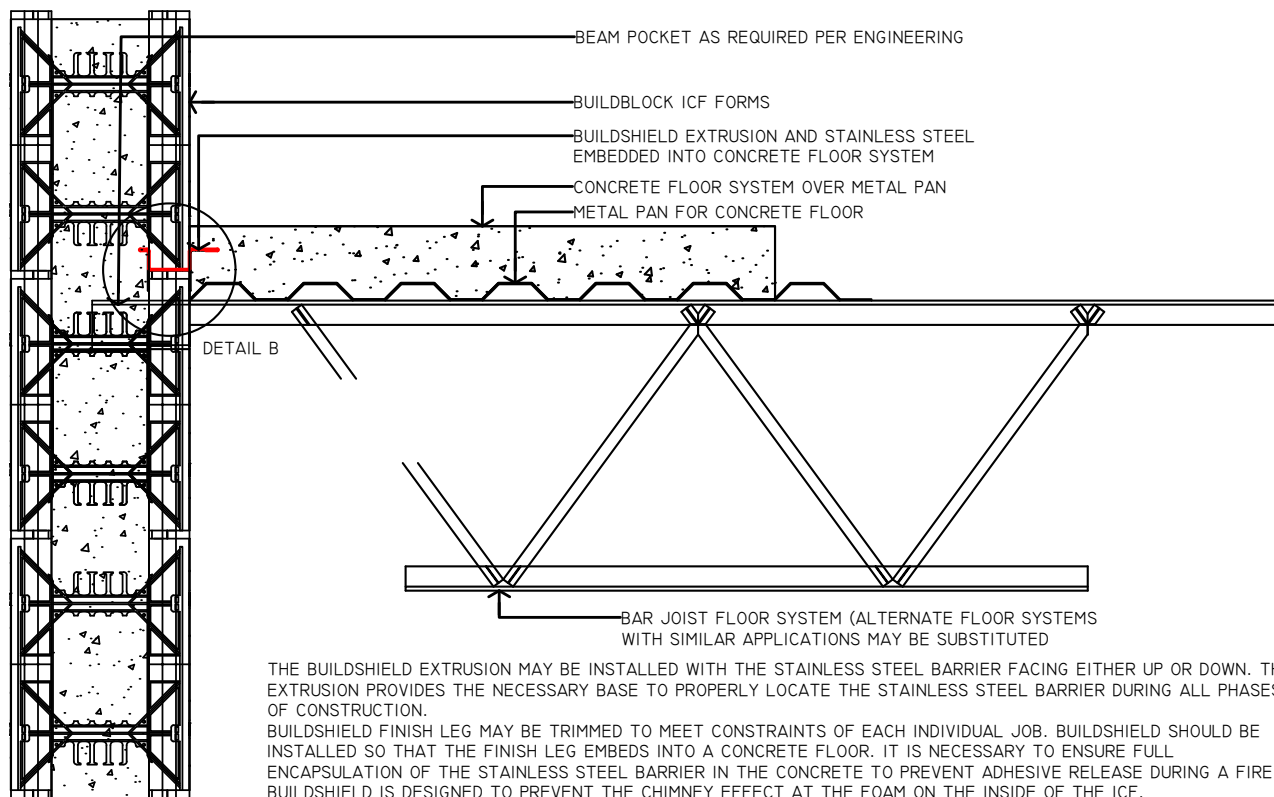
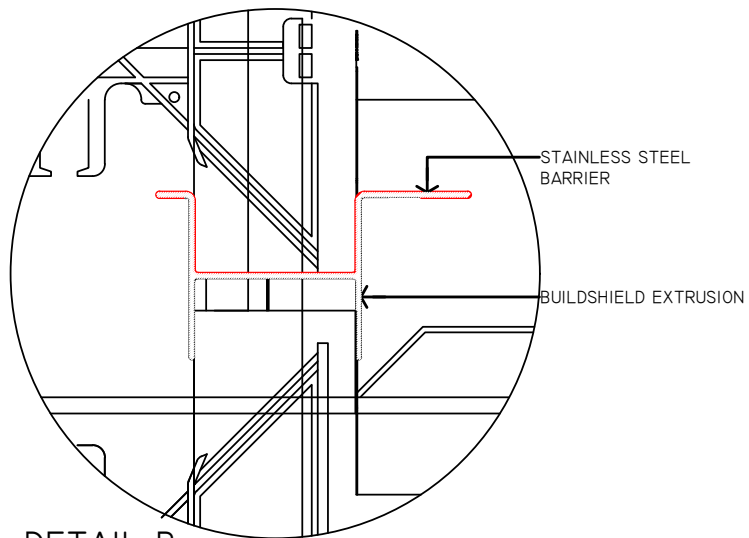



1. BUILDSHIELD FIRESTOP SHOULD BE PLACED SO THAT THE FLANGES ALIGN WITH THE TOP OR BOTTOM OF A JOIST TYPE FLOOR SYSTEM.
2. BUILDSHIELD FIRESTOP SHOULD NOT BE INSTALLED SUCH THAT THE FLANGE IS CUT FLUSH WITH THE EPS, AND ALIGNING IN THE CENTER OF THE RIM JOIST.
3. THE STAINLESS STEEL BARRIER MUST HAVE NO HOLES, GAPS, BUBBLES OR WRINKLES. IF NECESSARY, CUT SMALL PIECES OF STAINLESS STEEL BARRIER TO CREATE PATCHES.
4. OVERLAP SHOULD BE 2" MINIMUM AT ALL SEAMS AND PATCHES.



| | | | | | |
|--|---|--|-------|-----|--------------|
|  | BUILDSHIELD FIRESTOP CONCRETE FLOOR SYSTEM | | | | |
| | DATE/REV | 12/2015 | SCALE | NTS | DETAIL SHEET |
| | NOTES | | | | 63E |
| 9705 N. BROADWAY EXTENSION, SUITE 200, OKLAHOMA CITY, OK 73114 OFFICE: 405-840-3386 TOLL FREE: 866-222-2575 FAX: 831-597-0792 BUILDBLOCK.COM | | CONSTRUCTION SHALL BE IN ACCORDANCE WITH ALL APPLICABLE LOCAL AND NATIONAL CODES. ALL DRAWINGS ARE SUBJECT TO CHANGE WITHOUT NOTICE. | | | |