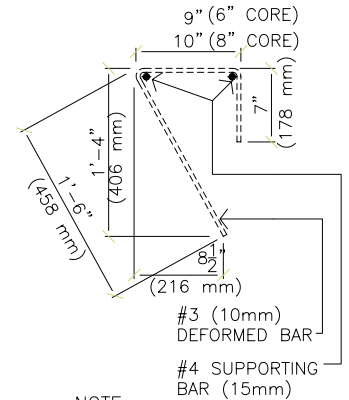


BUILDBLOCK® BUILDING SYSTEMS CANADIAN ENGINEERING TABLES

METRIC STEEL / METRIC SPACING

Wall Height (m)	Backfill Height (m)	Without Brick Ledge		With Brick Ledge	
		150 mm Wall	200 mm Wall	150 mm Wall	200 mm Wall
2.44	1.22	15M@450	15M@450	15M@450	15M@450
	1.53	15M@450	15M@450	15M@450	15M@450
	1.83	15M@450	15M@450	15M@450	15M@450
	2.14	15M@450	15M@450	15M@300	15M@450
3.05	1.22	15M@450	15M@450	15M@450	15M@450
	1.53	15M@450	15M@450	15M@450	15M@450
	1.83	15M@450	15M@450	15M@300	15M@450
	2.14	15M@300	15M@450	15M@150	15M@300
	2.44	15M@150	15M@300	15M@150	15M@300
3.66	1.22	15M@450	15M@450	15M@450	15M@450
	1.53	15M@450	15M@450	15M@450	15M@450
	1.83	15M@450	15M@450	15M@300	15M@450
	2.14	15M@300	15M@450	15M@150	15M@300
	2.44	15M@150	15M@300	15M@150	15M@150
	2.75	15M@150	15M@150		15M@150
	3.05		15M@150		15M@150
3.36		15M@150		15M@150	

- STIRRUP SPACING:
 1. VENEER – 1000 lb/ft (15kN/m) @ 18" (450mm)
 2. VENEER – 1500 lb/ft (22kN/m) @ 12" (300mm)



NOTE:
 ALL BENDS PER ANSI & STEEL INSTITUTE STANDARDS
 -STEEL GRADES AS SPECIFIED
 - DIMENSIONS TYPICAL FOR ALL LEDGE BLOCK APPLICATIONS

Notes:

Table 1-B is based on the following assumptions:
 Loads: earth pressure, surcharge, seismic, and gravity (gravity load includes 2 storeys ICF wall and wood frame roof)
 Snow load: 1.9 kPa
 Floor load: 1.9 kPa
 Concrete: f_c at 28 days 20 MPa
 Reinforcement: f_y 400 MPa
 Horizontal reinforcement: 15M@405mm throughout
 Wall Openings: 2-15M all around

BuildBlock Building Systems Typical Veneer Weight (kN/m)		
Height (m)	3½" brick	4" stone/concrete
2.4	4.5	6
3	5.5	7.5
4	7	10
5	9	12
6	11	15
7	12	17
8	14	20
9	16	22



NOVATECH ENGINEERING



9701 N. Broadway Extension
 Oklahoma City, Oklahoma 73114
 www.buildblock.com

Office: (405) 840-3386
 Fax: (831) 597-0792
 Toll Free: 1(866) 222-2575

Vertical Reinforcement for
 6" (150mm) and 8" (200mm)
 Below Grade Walls in
 Seismic Zones 3 & 4

TABLE NUMBER

1-B