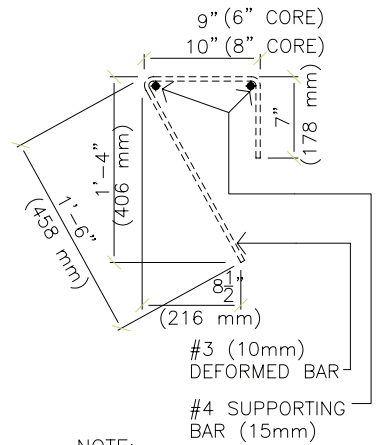


BUILDBLOCK® BUILDING SYSTEMS CANADIAN ENGINEERING TABLES

METRIC STEEL / IMPERIAL SPACING / lb/ft

Wall Height	Backfill Height	Vertical Reinforcement			
		10M@12"	15M@18"	15M@12"	15M@6"
8'-0"	4'-6"	390	950	1500	1500
	5'-3"	390	950	1500	1500
	6'-6"	330	880	1500	1500
	7'-3"	NA	0	1300	1500
9'-0"	4'-6"	390	950	1500	1500
	5'-3"	330	880	1500	1500
	6'-6"	330	880	1500	1500
	7'-3"	NA	0	1300	1500
	7'-9"	NA	0	1300	1500
	8'-6"	NA	0	1300	1500
10'-0"	4'-6"	390	950	1500	1500
	5'-3"	330	880	1500	1500
	6'-6"	330	880	1500	1500
	7'-3"	NA	0	1300	1500
	7'-9"	NA	0	1300	1500
	8'-6"	NA	0	1300	1500
	9'-4"	NA	NA	0	1500

- STIRRUP SPACING:
- VENEER = 1000 lb/ft (15kN/m @ 18" (450mm))
 - VENEER = 1500 lb/ft (22kN/m @ 12" (300mm))



NOTE:
 ALL BENDS PER ANSI & STEEL INSTITUTE STANDARDS
 -STEEL GRADES AS SPECIFIED
 - DIMENSIONS TYPICAL FOR ALL LEDGE BLOCK APPLICATIONS

BuildBlock Building Systems Typical Veneer Weight (Lb/ft)		
Height (ft)	3½" brick	4" stone/concrete
8	290	400
10	360	500
12	440	600
14	510	700
16	580	800
18	660	900
20	730	1000
22	800	1100
24	880	1200
26	950	1300
28	1020	1400
30	1090	1500

Notes:

Table derived from NBC/OBC 9.15.4.5. Conditions of 9.15 apply.
 Table shows maximum weight of veneer for each combination of wall height, backfill height and vertical reinforcement.
 Check weight of veneer from side table.
 Provide vertical reinforcement shown for selected wall height, backfill height and veneer weight.
 Provide horizontal reinforcement 10M@16" for all walls.



9701 N. Broadway Extension
 Oklahoma City, Oklahoma 73114
 www.buildblock.com

Office: (405) 840-3386
 Fax: (831) 597-0792
 Toll Free: 1(866) 222-2575

Below Grade 6" Walls with
 Brick Ledges
 Maximum Weight of Brick
 Veneer (lb/ft)

TABLE NUMBER
6-A