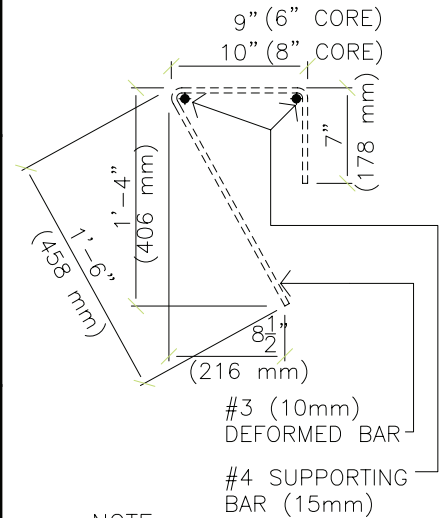


BUILDBLOCK® BUILDING SYSTEMS CANADIAN ENGINEERING TABLES

METRIC STEEL / METRIC SPACING / kN/m

| Wall Height | Backfill Height (ft) (m) | | Vertical Reinforcement | | | |
|-----------------|-----------------------------|------|------------------------|---------|---------|---------|
| | | | 10M@300 | 15M@450 | 15M@300 | 15M@150 |
| 8'-0" 2.44 m | 4'-6" | 1.35 | 6 | 14 | 22 | 22 |
| | 5'-3" | 1.60 | 6 | 14 | 22 | 22 |
| | 6'-6" | 2.00 | 5 | 13 | 22 | 22 |
| | 7'-3" | 2.20 | NA | 0 | 19 | 22 |
| 9'-0" 2.75 m | 4'-6" | 1.35 | 6 | 14 | 22 | 22 |
| | 5'-3" | 1.60 | 5 | 13 | 22 | 22 |
| | 6'-6" | 2.00 | 5 | 13 | 22 | 22 |
| | 7'-3" | 2.20 | NA | 0 | 19 | 22 |
| | 7'-9" | 2.35 | NA | 0 | 19 | 22 |
| | 8'-6" | 2.60 | NA | 0 | 19 | 22 |
| 10'-0" 3 m | 4'-6" | 1.35 | 6 | 14 | 22 | 22 |
| | 5'-3" | 1.60 | 5 | 13 | 22 | 22 |
| | 6'-6" | 2.00 | 5 | 13 | 22 | 22 |
| | 7'-3" | 2.20 | NA | 0 | 19 | 22 |
| | 7'-9" | 2.35 | NA | 0 | 19 | 22 |
| | 8'-6" | 2.60 | NA | 0 | 19 | 22 |
| | 9'-4" | 2.85 | NA | NA | 0 | 22 |

- STIRRUP SPACING:
- VENEER - 1000 lb/ft (15kN/m) @ 18" (450mm)
 - VENEER - 1500 lb/ft (22kN/m) @ 12" (300mm)



NOTE:
ALL BENDS PER ANSI & STEEL INSTITUTE STANDARDS
- STEEL GRADES AS SPECIFIED
- DIMENSIONS TYPICAL FOR ALL LEDGE BLOCK APPLICATIONS

Notes:

Table derived from NBC/OBC 9.15.4.5. Conditions of 9.15 apply.
Table shows maximum weight of veneer for each combination of wall height, backfill height and vertical reinforcement.
Check weight of veneer from side table.
Provide vertical reinforcement shown for selected wall height, backfill height and veneer weight.
Provide horizontal reinforcement 10M@405 for all walls.

**BuildBlock Building Systems
Typical Veneer Weight (kN/m)**

| Height (m) | 3½" brick | 4" stone/concrete |
|------------|-----------|-------------------|
| 2.4 | 4.5 | 6 |
| 3 | 5.5 | 7.5 |
| 4 | 7 | 10 |
| 5 | 9 | 12 |
| 6 | 11 | 15 |
| 7 | 12 | 17 |
| 8 | 14 | 20 |
| 9 | 16 | 22 |



NOVATECH ENGINEERING



9701 N. Broadway Extension
Oklahoma City, Oklahoma 73114
www.buildblock.com

Office: (405) 840-3386
Fax: (831) 597-0792
Toll Free: 1(866) 222-2575

Below Grade 150 mm Walls
with Brick Ledges
Maximum Weight of Brick
Veneer (kN/m)

TABLE NUMBER

6-B