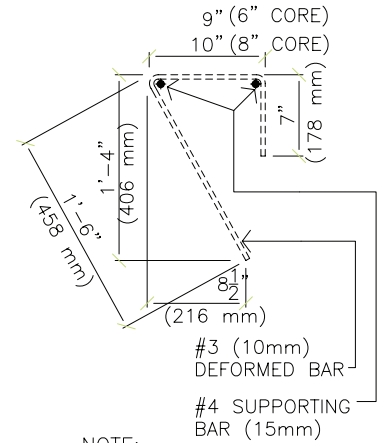


BUILDBLOCK® BUILDING SYSTEMS CANADIAN ENGINEERING TABLES

METRIC STEEL / IMPERIAL SPACING / lb/ft

Wall Height	Backfill Height	Vertical Reinforcement			
		10M@12"	15M@18"	15M@12"	15M@6"
8'-0"	4'-6"	1500	1500	1500	1500
	5'-3"	1500	1500	1500	1500
	6'-6"	1500	1500	1500	1500
	7'-3"	1500	1500	1500	1500
9'-0"	4'-6"	1500	1500	1500	1500
	5'-3"	1500	1500	1500	1500
	6'-6"	1500	1500	1500	1500
	7'-3"	530	1260	1500	1500
	7'-9"	0	710	1500	1500
	8'-6"	0	710	1500	1500
10'-0"	4'-6"	1500	1500	1500	1500
	5'-3"	1500	1500	1500	1500
	6'-6"	1500	1500	1500	1500
	7'-3"	530	1260	1500	1500
	7'-9"	0	710	1500	1500
	8'-6"	NA	NA	1080	1500
	9'-4"	NA	NA	1080	1500

- STIRRUP SPACING:
- VENEER = 1000 lb/ft (15kN/m) @ 18" (450mm)
 - VENEER = 1500 lb/ft (22kN/m) @ 12" (300mm)



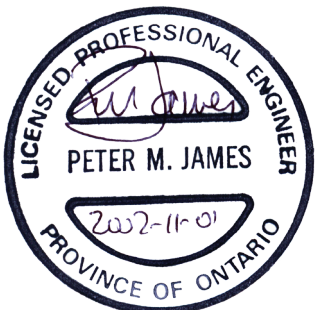
NOTE:
ALL BENDS PER ANSI & STEEL INSTITUTE STANDARDS
-STEEL GRADES AS SPECIFIED
- DIMENSIONS TYPICAL FOR ALL LEDGE BLOCK APPLICATIONS

BuildBlock Building Systems Typical Veneer Weight (Lb/ft)

Height (ft)	3½" brick	4" stone/concrete
8	290	400
10	360	500
12	440	600
14	510	700
16	580	800
18	660	900
20	730	1000
22	800	1100
24	880	1200
26	950	1300
28	1020	1400
30	1090	1500

Notes:

Table derived from NBC/OBC 9.15.4.5. Conditions of 9.15 apply.
Table shows maximum weight of veneer for each combination of wall height, backfill height and vertical reinforcement.
Check weight of veneer from side table.
Provide vertical reinforcement shown for selected wall height, backfill height and veneer weight.
Provide horizontal reinforcement 10M@16" for all walls.



NOVATECH ENGINEERING



9701 N. Broadway Extension
Oklahoma City, Oklahoma 73114
www.buildblock.com

Office: (405) 840-3386
Fax: (831) 597-0792
Toll Free: 1(866) 222-2575

Below Grade 8" Walls with
Brick Ledges
Maximum Weight of Brick
Veneer (lb/ft)

TABLE NUMBER

7-A