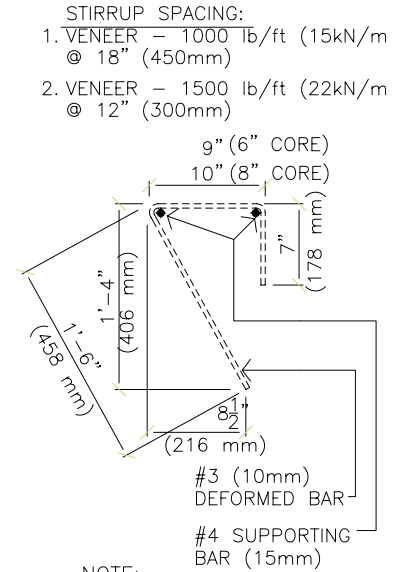


# BUILDBLOCK® BUILDING SYSTEMS CANADIAN ENGINEERING TABLES

## IMPERIAL STEEL / IMPERIAL SPACING / lb/ft

Wall Height	Backfill Height	Vertical Reinforcement		
		#5@18"	#5@12"	#5@6"
8'-0"	4'-6"	1500	1500	1500
	5'-3"	1500	1500	1500
	6'-6"	1500	1500	1500
	7'-3"	1500	1500	1500
9'-0"	4'-6"	1500	1500	1500
	5'-3"	1500	1500	1500
	6'-6"	1500	1500	1500
	7'-3"	1190	1500	1500
	7'-9"	640	1500	1500
	8'-6"	640	1500	1500
10'-0"	4'-6"	1500	1500	1500
	5'-3"	1500	1500	1500
	6'-6"	1500	1500	1500
	7'-3"	1190	1500	1500
	7'-9"	640	1500	1500
	8'-6"	NA	970	1500
	9'-4"	NA	970	1500



NOTE:  
 ALL BENDS PER ANSI & STEEL INSTITUTE STANDARDS  
 -STEEL GRADES AS SPECIFIED  
 - DIMENSIONS TYPICAL FOR ALL LEDGE BLOCK APPLICATIONS

BuildBlock Building Systems Typical Veneer Weight (Lb/ft)		
Height (ft)	3½" brick	4" stone/concrete
8	290	400
10	360	500
12	440	600
14	510	700
16	580	800
18	660	900
20	730	1000
22	800	1100
24	880	1200
26	950	1300
28	1020	1400
30	1090	1500

**Notes:**

Table derived from NBC/OBC 9.15.4.5. Conditions of 9.15 apply.  
 Table shows maximum weight of veneer for each combination of wall height, backfill height and vertical reinforcement.  
 Check weight of veneer from side table.  
 Provide vertical reinforcement shown for selected wall height, backfill height and veneer weight.  
 Provide horizontal reinforcement #4@16" for all walls.



9701 N. Broadway Extension  
 Oklahoma City, Oklahoma 73114  
 www.buildblock.com

Office: (405) 840-3386  
 Fax: (831) 597-0792  
 Toll Free: 1(866) 222-2575

Below Grade 8" Walls with  
 Brick Ledges  
 Maximum Weight of Brick  
 Veneer (lb/ft)

TABLE NUMBER  
**7-C**