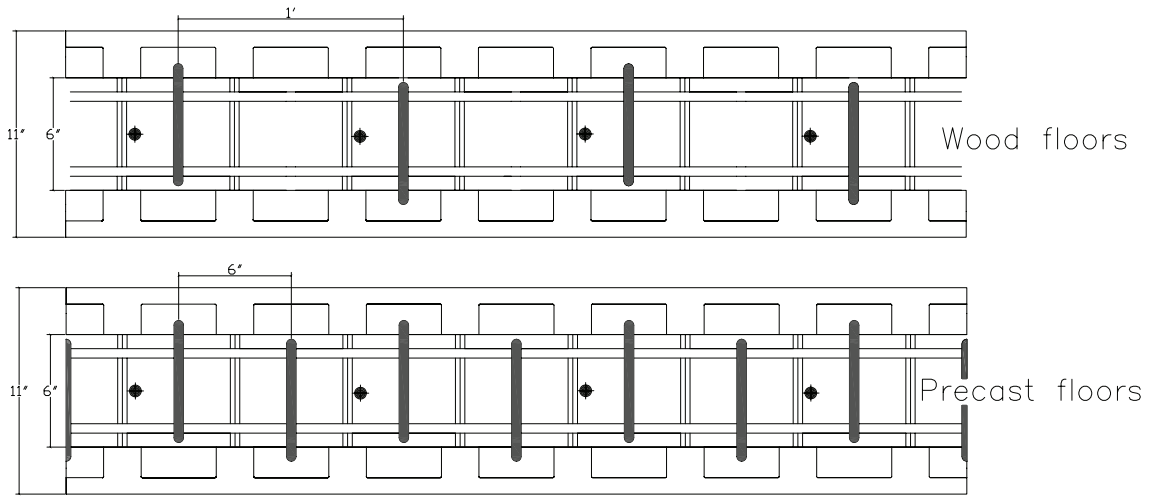


BUILDBLOCK® BUILDING SYSTEMS CANADIAN ENGINEERING TABLES

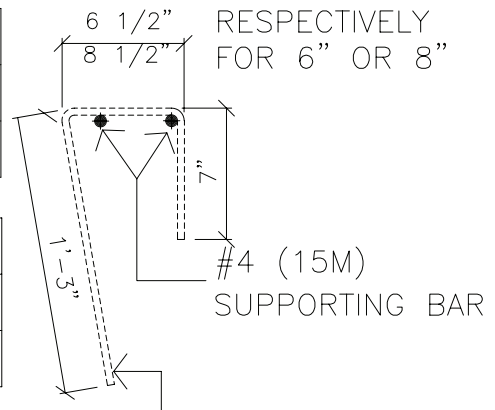
TAPER TOP LOAD CAPACITIES



| | |
|-------------|-------------------|
| Wood Floors | 32' (9.75M) span |
| Dead | 15 psf (0.72 kPa) |
| Live | 40 psf (1.9 kPa) |

| | |
|----------------|------------------|
| Precast Floors | 32' (9.75M) span |
| Dead | 75 psf (3.6 kPa) |
| Live | 50 psf (2.4 kPa) |

| | |
|----------------|-------------------|
| Precast Floors | 24' (7.3M) span |
| Dead | 75 psf (3.6 kPa) |
| Live | 100 psf (4.8 kPa) |



Imperial Rebar:
#3 Grade 60
or #4 Grade 40

Metric Rebar:
10m Grade 400

Notes:

75 psf dead load = 6" Hollow Core Slab + 2" Topping

Wood floors Install stirrups in alternating directions @ 12" OC

Precast floors Install stirrups in alternating directions @ 6" OC



9701 N. Broadway Extension
Oklahoma City, Oklahoma 73114
www.buildblock.com

Office: (405) 840-3386
Fax: (831) 597-0792
Toll Free: 1(866) 222-2575

Taper top Reinforcement

TABLE NUMBER

9