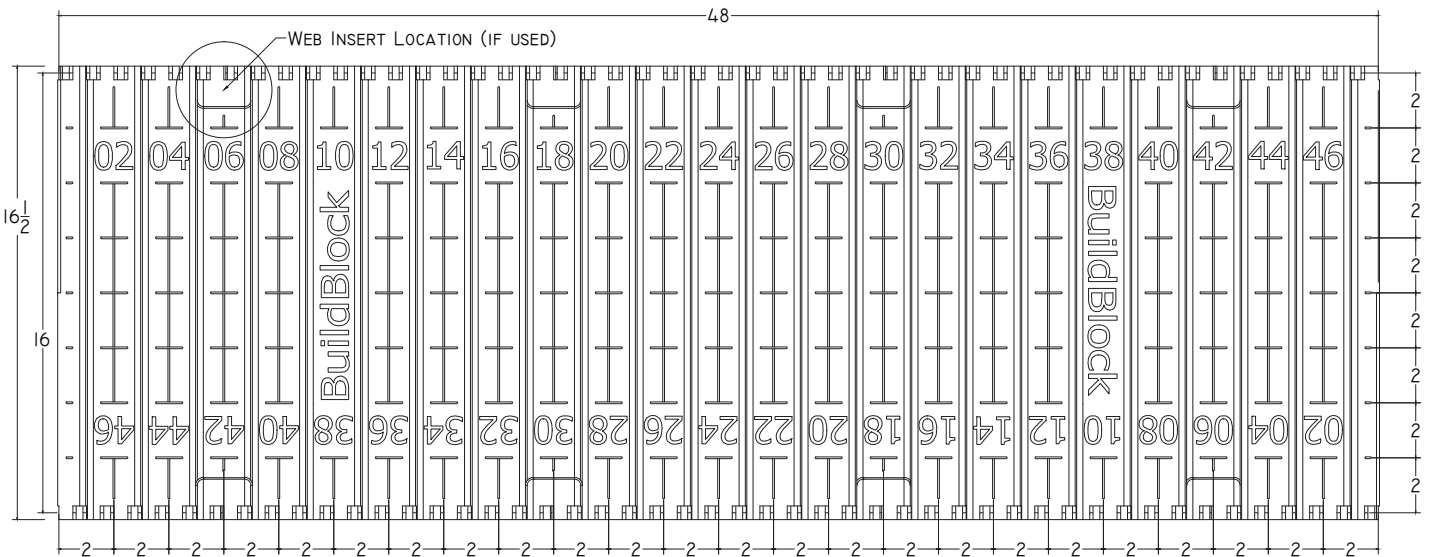
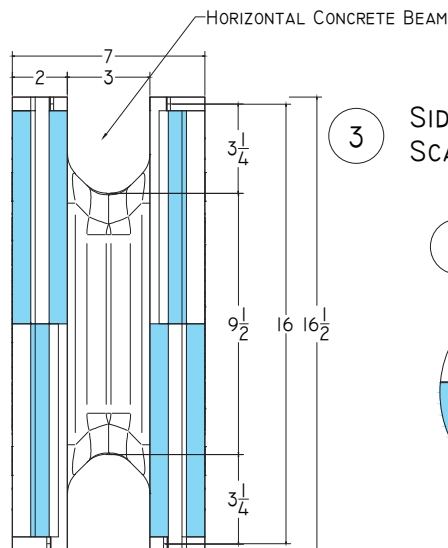


1 TOP / BOTTOM VIEW (REVERSIBLE)
SCALE: NTS

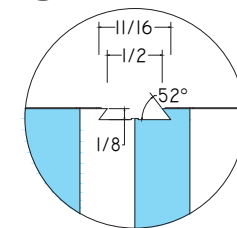


2 FRONT VIEW
SCALE: NTS



3 SIDE VIEW
SCALE: NTS

4 DOVETAIL DETAIL
SCALE: NTS



NOTE:
FORM IS REVERSIBLE, BOTH HORIZONTALLY
AND VERTICALLY.
BLOCKS STACK @ 1'-4" (16") INCREMENTS.

LEGEND:
■ = POSITIVE PROFILES (TONGUES)
□ = NEGATIVE PROFILES (GROOVES)



GLOBALBLOCK ALL FOAM ICF 3" STRAIGHT BLOCK

| | | | | |
|----------|--------|-------|-----|--------------|
| DATE/REV | 9/2015 | SCALE | NTS | DETAIL SHEET |
|----------|--------|-------|-----|--------------|

| | |
|-------|--|
| NOTES | |
|-------|--|

9705 N. BROADWAY EXTENSION, SUITE 200, OKLAHOMA CITY, OK 73114
OFFICE: 405-840-3386 | TOLL FREE: 866-222-2575 | FAX: 831-597-0792
BUILDBLOCK.COM

CONSTRUCTION SHALL BE IN ACCORDANCE WITH ALL APPLICABLE
LOCAL AND NATIONAL CODES. ALL DRAWINGS ARE SUBJECT TO
CHANGE WITHOUT NOTICE.

60A