

MASONRY VENEER (VERIFY CODE APPROVED GRADE CLEARANCE FOR PROJECT LOCATION)

"BuildBlock" 6" I.C.F. UNITS

GROUT FILL BELOW GRADE

CONTINUOUS THRU-WALL FLASHING

L8x6x1/2' (23L.B.F) MIN. OR AS REQUIRED BY ENGINEERING

4 1/2" \square MIN. FORM CUT AT \odot ANCHOR BOLT LOCATIONS
ALL OPENINGS SHALL BE 1/2" LESS THAN THE VERTICAL HGT. OF THE APPLIED LEDGE MEMBER - CENTER LEDGE ON OPENING

CAST EMBEDDED STEEL ANCHOR BOLTS - SIZE & FREQUENCY PER ENGINEERING SPECIFICATIONS

"BuildBlock" 8" I.C.F. UNITS

MASONRY VENEER (VERIFY CODE APPROVED GRADE CLEARANCE FOR PROJECT LOCATION)

"BuildBlock" 6" I.C.F. UNITS

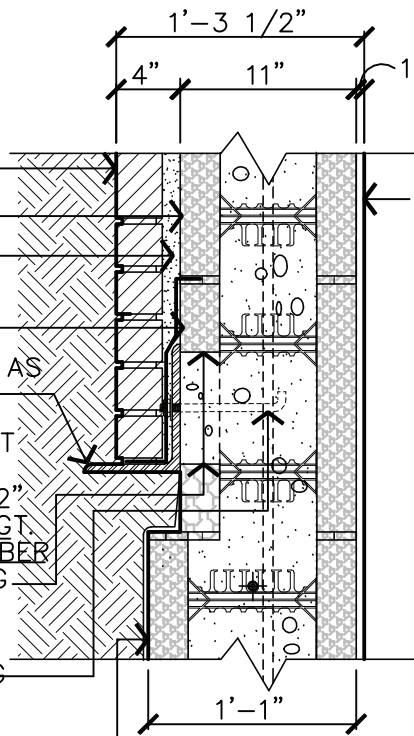
GROUT FILL BELOW GRADE

FIELD FORM W/ WOOD OR STEEL

APPROVED WATER PROOFING MEMBRANE

"BuildBlock" 8" I.C.F. UNITS

NOTE:
 INSTALL APPROVED MEMBRANE WATER-PROOFING AT ALL SURFACES BELOW GRADE
 EXTEND 12" MIN. ABOVE FINAL GRADE



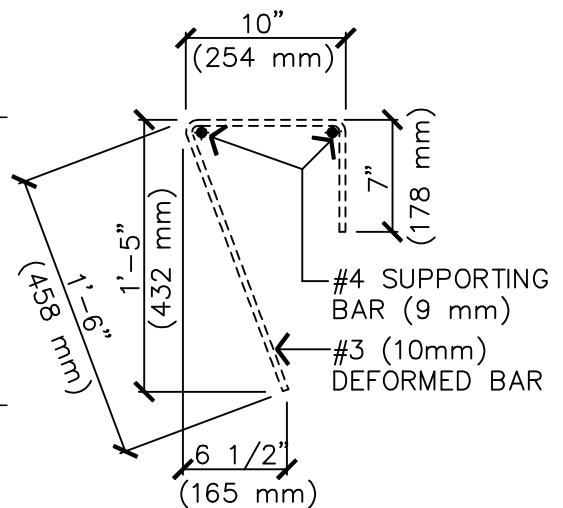
3
18

STEEL ANGLE SECTION DETAIL
 SCALE: 1" = 1'-0"

1/2" GYP. BD. MIN. OR PER LOCAL CODES

MINIMUM SPACING:

1. VENEER - 1000 lb/ft (15kN/m @ 18" (450mm))
2. VENEER - 1500 lb/ft (22kN/m @ 12" (300mm))



NOTE:

ALL BENDS PER ANSI & STEEL INSTITUTE STANDARDS
 - STEEL GRADES AS SPECIFIED
 - DIMENSIONS TYPICAL FOR ALL LEDGE BLOCK APPLICATIONS

2
18

STIRRUP DETAIL
 SCALE: 1" = 1'-0"

1/2" GYP. BD. MIN. OR PER LOCAL CODES

1
18

FIELD FORMED SECTION DETAIL
 SCALE: 1" = 1'-0"

NOTE:

DUE TO VARIATIONS IN SELECTED PRINTER SETTINGS, NOTED SCALES MAY NO LONGER BE APPLICABLE



BUILDBLOCK 6" & 8" LEDGE BLOCK APPLICATION 3

DATE/REV 11-25-06 / 3

SCALE NTS

DETAIL SHEET

NOTES

9705 N. BROADWAY EXTENSION, SUITE 200, OKLAHOMA CITY, OK 73114
 OFFICE: 405-840-3386 | TOLL FREE: 866-222-2575 | FAX: 831-597-0792
 BUILDBLOCK.COM

CONSTRUCTION SHALL BE IN ACCORDANCE WITH ALL APPLICABLE LOCAL AND NATIONAL CODES. ALL DRAWINGS ARE SUBJECT TO CHANGE WITHOUT NOTICE.

18