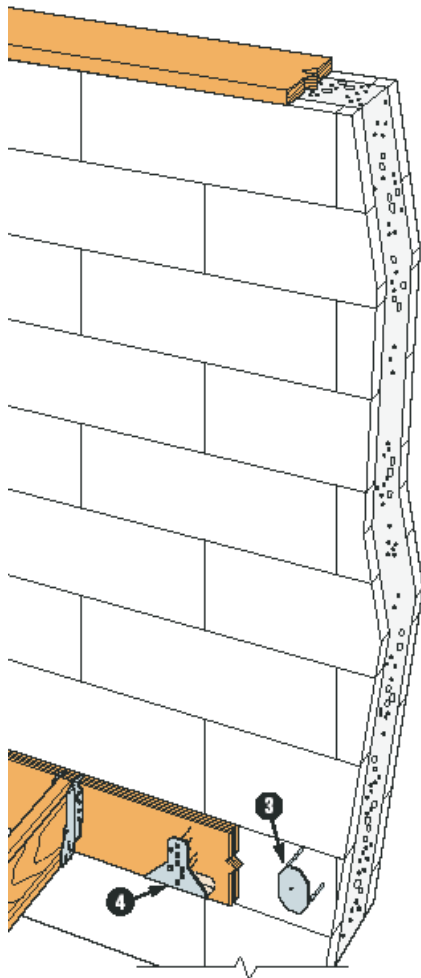


Plate Connections

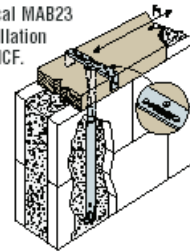


Anchor Spacing

Model No.	O.C. Spacing to replace 1/2" Anchor Bolt 6" O.C.		O.C. Spacing to replace 3/8" Anchor Bolt 6" O.C.		Min. Concrete End Distance	Min. C-C Spacing
	(133)	(160)	(133)	(160)		
MAB15	3 1/2'	3'	2 1/2'	2'	6 1/2"	13"
MAB23	3 1/2'	3'	2 1/2'	2'	12"	24"

1. Place anchors not more than 1' from the end of each sill per code.
2. Spacing is based on parallel to plate load direction only.
3. All grout and concrete min. f_c 2000 psi.

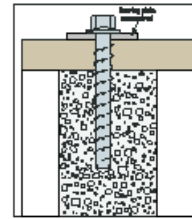
Typical MAB23 Installation into ICF.



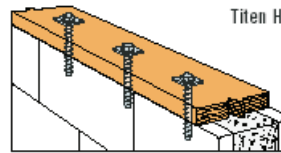
Anchor Spacing

Titen HD Size (in)	Titen HD Model #	Sill Plate Size (in)	Min. Edge Dist. (in)	Min. End Dist. (in)	Min Wall Width (in)
1/2 x 6	THD50600H	2x or 3x	1 1/4	8	6
5/8 x 6	THD62600H	2x	1 1/4	10	6
5/8 x 6 1/2	THD62612H	3x	1 1/4	10	6

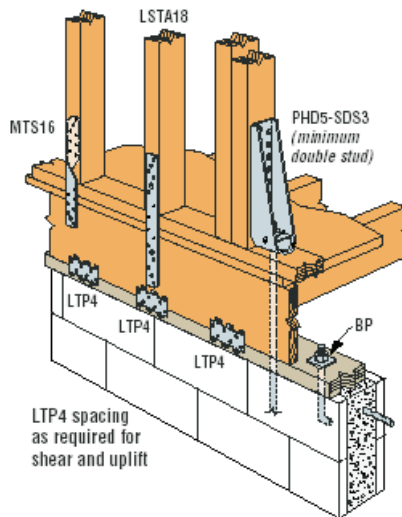
1. Min. concrete strength 2500 psi.
2. For ACO or CA lumber order products Mechanically Galvanized (MG). For additional information, visit www.stongtie.com/info
3. Designs based on a minimum embedment of 3 1/4" for 1/2" Titen HDs and 3 3/4" for 5/8" Titen HDs.
4. For additional information, refer to the latest Simpson Anchor & Fastening Systems for Concrete & Masonry catalog.
5. Direct 1 to 1 replacement is based on parallel-to-plate, perpendicular-to-plate, and tension comparisons to a cast-in-place anchor bolt of equivalent diameter.



Titen HD



Titen HD installation into ICF.



LTP4 spacing as required for shear and uplift

DETAIL SHEET CONTAINS SPECIFICATIONS AND DETAILS AS PROVIDED BY SIMPSON STRONG-TIE INC. BUILDBLOCK ASSUMES NO LIABILITY FOR THE USE OF ANY INFORMATION PROVIDED BY THE MANUFACTURER. IT SHALL BE THE USER'S RESPONSIBILITY TO VERIFY THE CURRENT STATUS AND APPLICATION CHANGES WITH THE MANUFACTURER. CONTACT: ON-LINE WWW.STONGTIE.COM - ENGINEERING SUPPORT AT 1-800-999-5099



9705 N. BROADWAY EXTENSION, SUITE 200, OKLAHOMA CITY, OK 73114
 OFFICE: 405-840-3386 | TOLL FREE: 866-222-2575 | FAX: 831-597-0792
 BUILDBLOCK.COM

SIMPSON ICF CONNECTORS

DATE/REV 03-12-07 / 1

SCALE NTS

DETAIL SHEET

NOTES

CONSTRUCTION SHALL BE IN ACCORDANCE WITH ALL APPLICABLE LOCAL AND NATIONAL CODES. ALL DRAWINGS ARE SUBJECT TO CHANGE WITHOUT NOTICE.

15B