

GRADE LEVEL
(1ST FLOOR OR
ADDITIONAL STORIES)

CAST EMBEDDED STEEL ANCHOR BOLTS – APPLIES TO 6” OR 8” WALLS – SIZE & FREQUENCY PER ENGINEERING SPECIFICATIONS OR SIM. TO PRESCRIPTIVE METHOD FIGURE 6.1 & 6.5 CONTAINED IN THE H.U.D. P.A.T.H. DOCUMENTATION. A LINK IS PROVIDED IN THE TECHNICAL SECTION OF OUR WEBSITE UNDER CODE COMPLIANCE

"BuildBlock"
4" I.C.F. UNITS
1ST FIN. FLR. ELEV. 100'-0" (DATUM)
(VERIFY CODE APPROVED GRADE CLEARANCE FOR PROJECT LOCATION)
6" MIN.

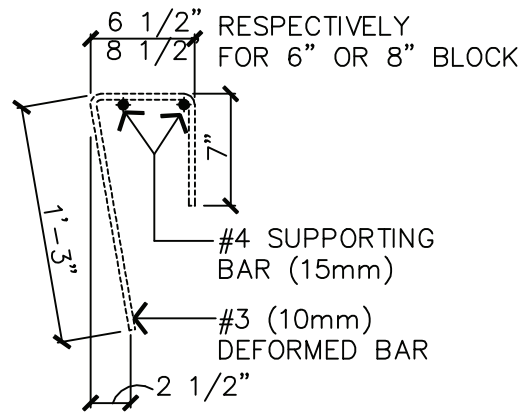
DOWELS SUPPORTING UPPER VERTICAL REINFORCEMENT (40 BAR DIA. OVERLAP REQUIRED – 50% ATTACHMENT TO UPPER & LOWER REBAR)

"BuildBlock"
8" TAPER TOP I.C.F. UNITS
APPROVED MEMBRANE WATER PROOFING

"BuildBlock"
8" I.C.F. UNITS

FLOOR SYSTEM PER CONSTRUCTION DRAWINGS

APPROVED JOIST HANGER
15 MIN THERMAL BARRIER OR 1/2" GYPSUM BOARD
BASEMENT



2 STIRRUP DETAIL
54 SCALE: 1" = 1'-0"

STIRRUP SPACING:

1. VENEER – 1000 lb/ft (15kN/m @ 18" (450mm)
2. VENEER – 1500 lb/ft (22kN/m @ 12" (300mm)

NOTES:

1. VARIATIONS IN IMPOSED LIVE & DEAD LOADS AND OTHER APPLICATION SPECIFIC VARIABLES REQUIRE ALL ASPECTS OF THE DETAILS SHOWN HERE TO BE DESIGNED AND /OR APPROVED BY A QUALIFIED ENGINEER
2. ALL CONSTRUCTION SHALL BE IN ACCORDANCE W/ THE SPECIFICATION OF AND THE RESPONSIBILITY OF A QUALIFIED STRUCTURAL ENGINEER.

1 CROSS SECTION DETAIL
54 SCALE: 1" = 1'-0"

NOTE:

DUE TO VARIATIONS IN SELECTED PRINTER SETTINGS, NOTED SCALES MAY NO LONGER BE APPLICABLE



TAPER UNIT & LEDGE CONNECTION 2

DATE/REV	10-05-07 /2	SCALE	NTS	DETAIL SHEET
----------	-------------	-------	-----	--------------

NOTES	
-------	--

9705 N. BROADWAY EXTENSION, SUITE 200, OKLAHOMA CITY, OK 73114
OFFICE: 405-840-3386 | TOLL FREE: 866-222-2575 | FAX: 831-597-0792
BUILDBLOCK.COM

CONSTRUCTION SHALL BE IN ACCORDANCE WITH ALL APPLICABLE LOCAL AND NATIONAL CODES. ALL DRAWINGS ARE SUBJECT TO CHANGE WITHOUT NOTICE.

54