

GRADE LEVEL
(1ST FLOOR OR
ADDITIONAL STORIES)

CAST EMBEDDED STEEL ANCHOR BOLTS – APPLIES TO 6” OR 8” WALLS – SIZE & FREQUENCY PER ENGINEERING SPECIFICATIONS OR SIM. TO PRESCRIPTIVE METHOD FIGURE 6.1 & 6.5 CONTAINED IN THE H.U.D. P.A.T.H. DOCUMENTATION. A LINK IS PROVIDED IN THE TECHNICAL SECTION OF OUR WEBSITE UNDER CODE COMPLIANCE

FLOOR SYSTEM PER CONSTRUCTION DRAWINGS

"BuildBlock"

6" I.C.F. UNITS

1ST FIN. FLR. ELEV. 100'-0" (DATUM)
(VERIFY CODE APPROVED GRADE CLEARANCE FOR PROJECT LOCATION)

6" MIN.

DOWELS SUPPORTING UPPER VERTICAL REINFORCEMENT

"BuildBlock"

8" TAPER TOP I.C.F. UNITS

APPROVED MEMBRANE WATER PROOFING

"BuildBlock"

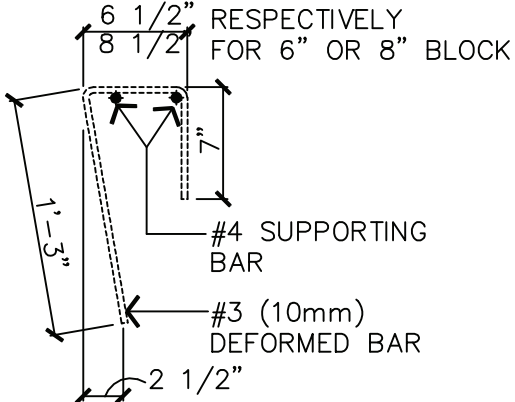
8" I.C.F. UNITS

APPROVED JOIST HANGER

15 MIN THERMAL BARRIER OR 1/2" GYPSUM BOARD

BASEMENT

1 SECTION DETAIL
55 SCALE: 1" = 1'-0"



2 STIRRUP DETAIL
55 SCALE: 1" = 1'-0"

MINIMUM SPACING:

1. VENEER – 1000 lb/ft (15kN/m @ 18" (450mm)
2. VENEER – 1500 lb/ft (22kN/m @ 12" (300mm)

NOTES:

1. VARIATIONS IN IMPOSED LIVE & DEAD LOADS AND OTHER APPLICATION SPECIFIC VARIABLES REQUIRE ALL ASPECTS OF THE DETAILS SHOWN HERE TO BE DESIGNED AND /OR APPROVED BY A QUALIFIED ENGINEER
2. ALL CONSTRUCTION SHALL BE IN ACCORDANCE W/ THE SPECIFICATION OF AND THE RESPONSIBILITY OF A QUALIFIED STRUCTURAL ENGINEER.

NOTE:

DUE TO VARIATIONS IN SELECTED PRINTER SETTINGS, NOTED SCALES MAY NO LONGER BE APPLICABLE



TAPER UNIT & LEDGE CONNECTION 3

DATE/REV	09-30-07 /2	SCALE	NTS	DETAIL SHEET
----------	-------------	-------	-----	--------------

NOTES	
-------	--

9705 N. BROADWAY EXTENSION, SUITE 200, OKLAHOMA CITY, OK 73114
OFFICE: 405-840-3386 | TOLL FREE: 866-222-2575 | FAX: 831-597-0792
BUILDBLOCK.COM

CONSTRUCTION SHALL BE IN ACCORDANCE WITH ALL APPLICABLE LOCAL AND NATIONAL CODES. ALL DRAWINGS ARE SUBJECT TO CHANGE WITHOUT NOTICE.

55