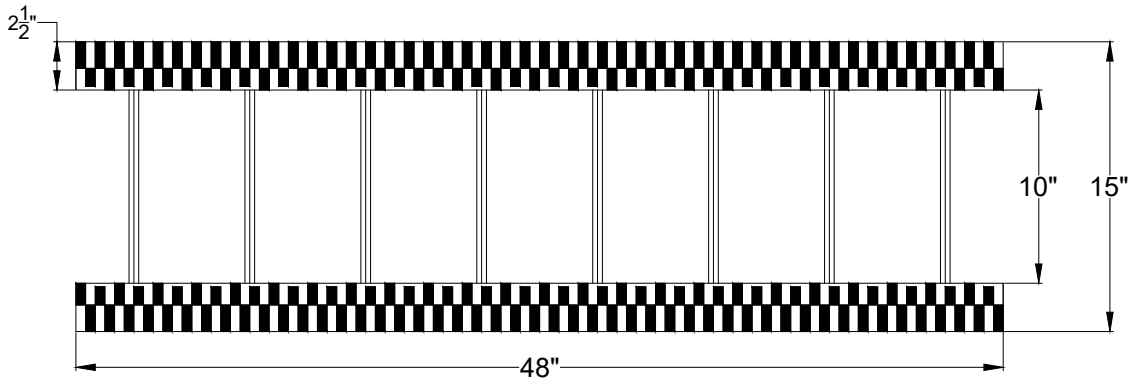


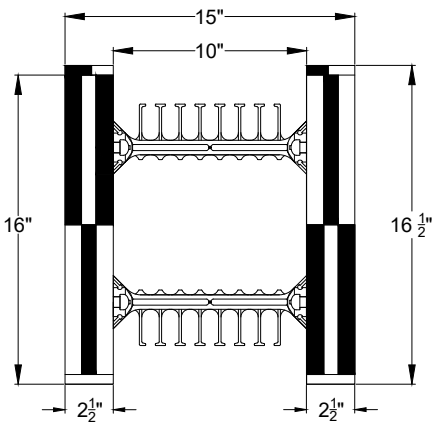
NOTE:

- FORM IS REVERSIBLE BOTH VERTICALLY AND HORIZONTALLY
- BLOCKS STACKED AT 1'-4" (16") INCREMENTS

3 FRONT VIEW



2 TOP/BOTTOM VIEW (REVERSIBLE)



1 SIDE VIEW

TOP & BOTTOM DIMENSIONS EQUAL

LEGEND:

- = POSITIVE PROFILES (TONGUE)
- = NEGATIVE PROFILES (GROOVES)

DATE / REVISION / BY	7-1-23 / 1 / AQ
SCALE	NTS
FILE NAME	1.008 - BL1000