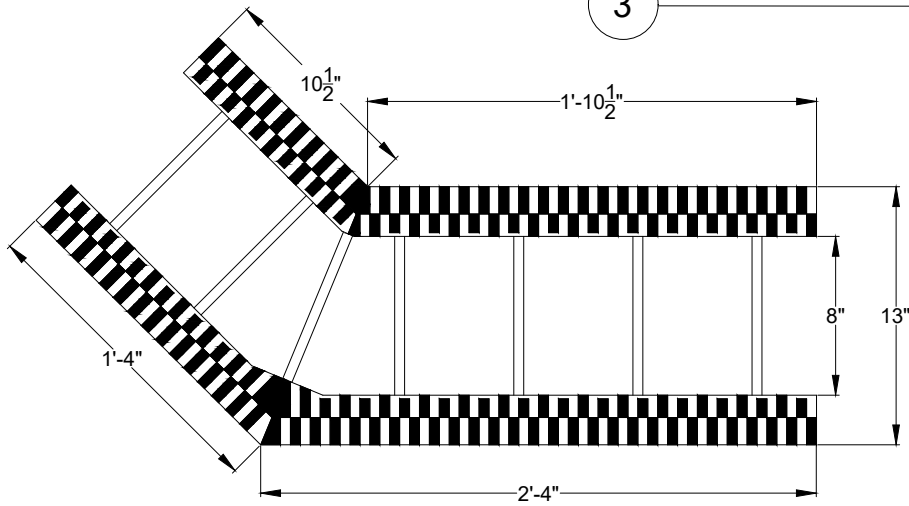
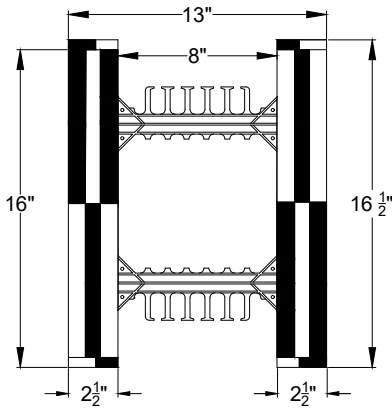


3 OUTSIDE VIEW



2 TOP/BOTTOM VIEW (REVERSIBLE)



1 SIDE VIEW

TOP & BOTTOM DIMENSIONS EQUAL

LEGEND:

- = POSITIVE PROFILES (TONGUE)
- = NEGATIVE PROFILES (GROOVES)

DATE / REVISION / BY	7-1-23 / 1 / AQ
SCALE	NTS
FILE NAME	1.205 - BB845