

MASONRY VEENER (VERIFY  
CODE APPROVED GRADE  
CLEARANCE FOR PROJECT  
LOCATION)

8" STRAIGHT FORM

GROUT FILL BELOW GRADE

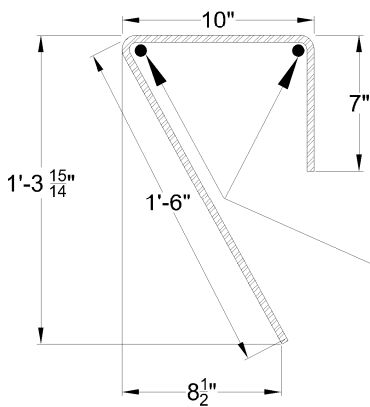
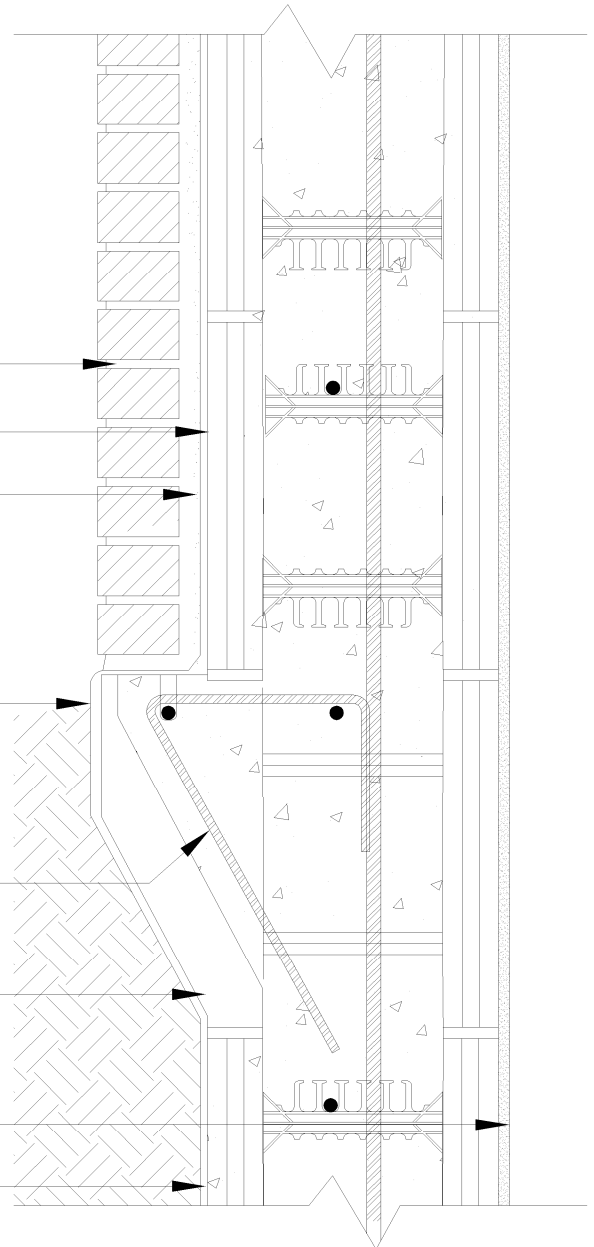
APPROVED MEMBRANE  
WATERPROOFING  
(ALL SURFACES  
BELOW GRADE)

REBAR STIRRUPS SEE  
DETAIL OR AS ENGINEERED  
FOR SPECIFIC LOAD)

8" BRICKLEDGE FORM

$\frac{1}{2}$ " GYP. BD. MIN OR  
PER LOCAL CODES

8" STRAIGHT FORM



STIRRUP SPACING:

1. VEENER - 1000 LB/FT  
(15 kN/M  
@18" (450mm))
2. VEENER - 1500 LB/FT  
(22 kN/M  
@12" (300mm))

#4 SUPPORTING BAR  
(15mm)  
#3 DEFORMED  
BAR (10mm)

**NOTE:**

ALL BENDS PER ANSI &  
STEEL INSTITUTE STANDARDS  
-STEEL GRADES AS SPECIFIED  
-DIMENSIONS TYPICAL FOR  
ALL LEDGE BLOCK APPLICATIONS

|                      |                 |
|----------------------|-----------------|
| DATE / REVISION / BY | 7-1-23 / 1 / AQ |
| SCALE                | NTS             |
| FILE NAME            | 1.303 - BBBL800 |