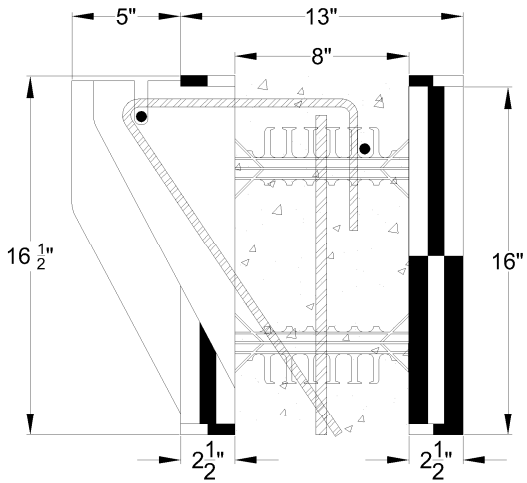


2 TOP VIEW



TOP & BOTTOM
DIMENSIONS EQUAL

1 SIDE VIEW

LEGEND:
 ■ = POSITIVE PROFILES (TONGUE)
 □ = NEGATIVE PROFILES (GROOVES)