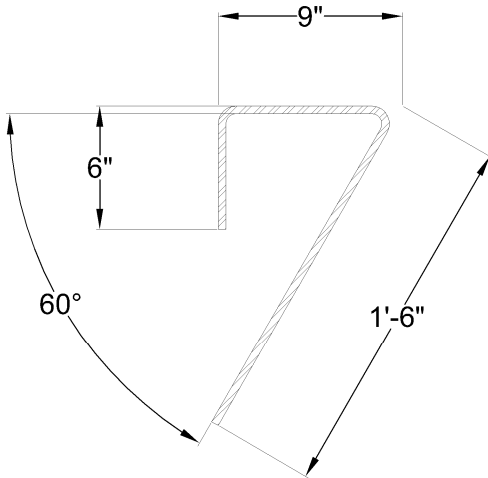
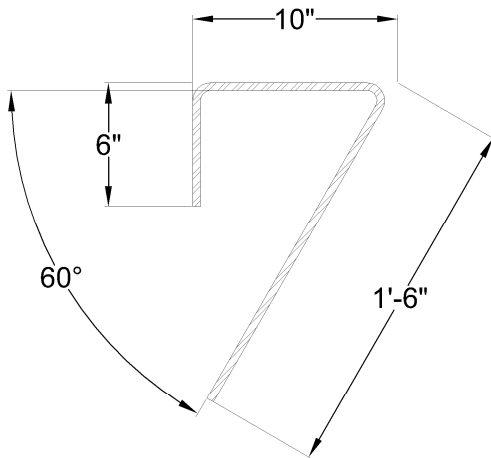


### 6" Core



### 8" Core



### Typical Veneer Weight

Height	3-1/2" Brick	4" Stone
	~40PSF	~54PSF
8	320	432
9	360	486
10	400	540
12	480	648
16	640	864
18	720	972
20	800	1080
24	960	1296
30	1200	1620

### Stirrup Spacing:

Veener < 1000 lb/ft @ 18" o.c

Veener < 1500 lb/ft @ 12" o.c

Veener > 1500 lb/ft Design Required