

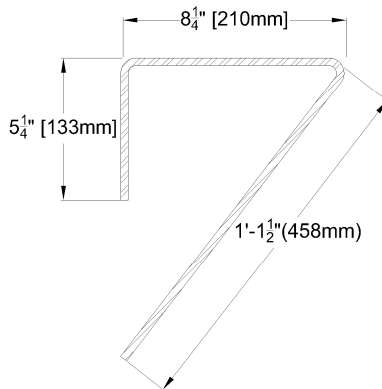
SECTION DETAIL A-A

NOTE:

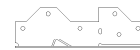
1. USE OF EITHER 2X4 OR 2X6 (PICTURED) IS ACCEPTABLE. INTERIOR FINISH AT CEILING JOINT MAY BE DRYWALL OR WOOD TRIM TO CONCEAL LEDGER BOARD.
2. SCREWS OR JOIST NAILS MAY BE USED FOR ATTACHING JOIST ANGLE BRACKET TO LEDGER PLATE. SEE HANGER MANUFACTURERS RECOMMENDATIONS FOR FASTENERS.

NOTE:

ENSURE THAT ALL REBAR STIRRUPS ARE ADEQUATELY MARKED PRIOR TO POUR. THIS WILL ELIMINATE INTERFERENCE WITH TAPCON/TITEN SCREWS.



SST A34



SST A35

NOTE:

ALL BENDS PER ANSI & STEEL INSTITUTE STANDARDS
 - STEEL GRADES AS SPECIFIED
 - DIMENSIONS TYPICAL FOR ALL LEDGE BLOCK APPLICATIONS

STIRRUP DETAIL

DATE / REVISION / BY	7-1-23 / 1 / AQ
SCALE	NTS
FILE NAME	1.324 - BBBL800