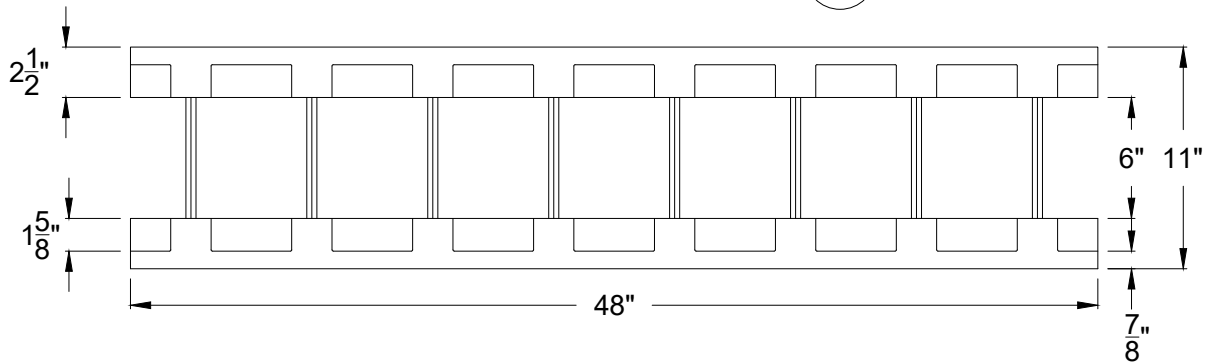
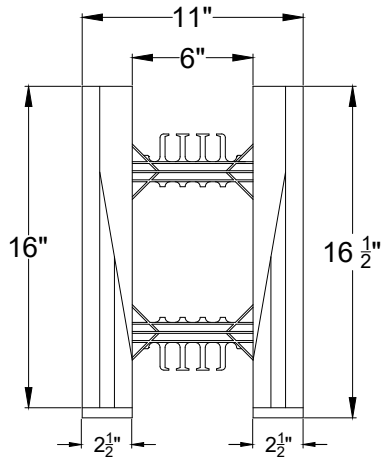


BLOCKS STACK @1'4" (16") INCREMENTS

3 FRONT VIEW



2 TOP VIEW



1 SIDE VIEW

TOP & BOTTOM DIMENSIONS EQUAL

LEGEND:

- = POSITIVE PROFILES (TONGUE)
- = NEGATIVE PROFILES (GROOVES)

DATE / REVISION / BY	7-1-23 / 1 / AQ
SCALE	NTS
FILE NAME	1.400 - BBTD600