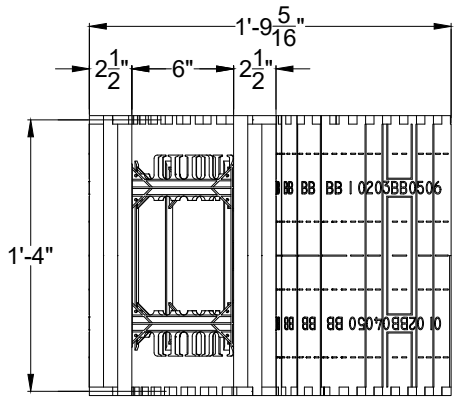
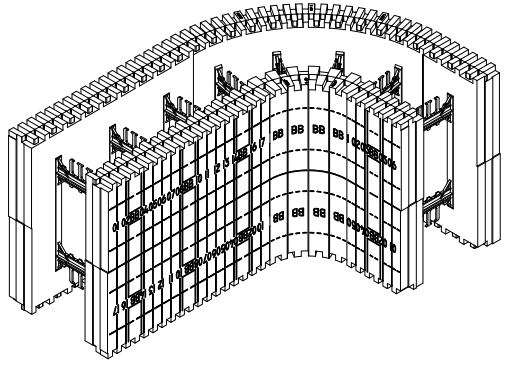


1 TOP VIEW



2 SIDE VIEW



3 PERSPECTIVE VIEW

**NOTES:**

1. BUILDRADIUS FORMS ARE SIZED BY THE LENGTH OF THE OUTER PANEL AT 90° ARC. THE RADIUS AND DIAMETER OF THE FORMS ARE GIVEN IN THE ACCOMPANAYING CHART.
2. THIS FORM INTEGRATES WITH STRAIGHT FORMS AND DOES NOT REQUIRE CUTTING TO PROVIDE 12 INCH OFFSET.
3. BLOCK COURSING IS 1'-4\".

2 FT BUILDRADIUS FROM SPECIFICATIONS		
	IMPERIAL	METRIC
BLOCK ANGLE	90°	90°
OUTSIDE PANEL AREA	5.33FT <sup>2</sup>	0.4951m <sup>2</sup>
INSIDE PANEL AREA	4.19FT <sup>2</sup>	0.4561m <sup>2</sup>
OUTER PANEL ARC LENGTH	2-FT 0-IN	60.96CM
INNER PANEL ARC LENGTH	1-FT 8-3/16-IN	51CM
OUTER RADIUS	1-FT 3-1/4-IN	38.81CM
INNER RADIUS	0-FT 8-1/2-IN	10.97CM
STRAIGHT SECTION LENGTHS	6-IN/18-IN	15.2CM/45.7CM
CONCRETE VOLUME	0.065296 YD <sup>3</sup>	0.043041 m <sup>3</sup>

**LEGEND:**

- = POSITIVE PROFILES (TONGUE)
- = NEGATIVE PROFILES (GROOVES)

**2FT RADIUS FORM**

DATE / REVISION / BY	7-1-23 / 1 / AQ
SCALE	NTS
FILE NAME	1.502 - BR602