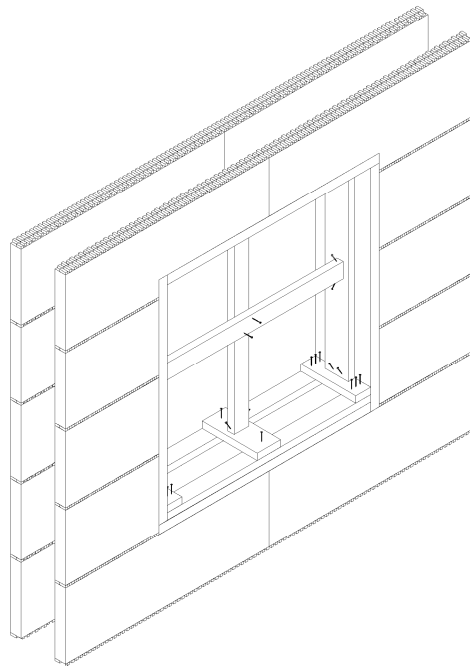


BRACING FOR BUILDBUCK.

1. TOP AND SIDE RAILS - 2X6 LUMBER.
2. BOTTOM RAILS AND CROSS BRACES - 2X4 OR 2X6 LUMBER.
3. BOTTOM CROSS TIES SHOULD BE 2X4 LUMBER ON SIDES AND 2X6 LUMBER IN CENTER.
4. TOP RAIL SHOULD BE CUT FULL ROUGH OPENING WIDTH.
5. BOTTOM RAILS SHOULD BE CUT FULL R/O WIDTH.
6. BOTTOM CROSS TIES SHOULD BE CUT FULL BUCK DEPTH.
7. SIDE RAILS SHOULD BE CUT TO ROUGH OPENING LESS TOP, BOTTOM AND BOTTOM CROSS TIE DIMENSION.
8. ALL RAILS AND CROSS TIES SHOULD BE SCREWED IN THE PATTERN SHOWN. IT IS IMPORTANT TO SCREW THE BOTTOM CROSS TIES AND THE SIDE RAILS TO THE BOTTOM RAILS TO PREVENT THE BUCK FROM SHIFTING DURING THE POUR.
9. CROSS BRACES SHOULD BE 2X4 OR LARGER, AND MAY BE TURNED SO THAT THEY BYPASS AT THE CENTER. THEY SHOULD BE SCREWED TOGETHER AT THE CENTER AND TOENAILED ON EACH END.
10. FOLLOW STANDARD PRACTICES FOR REMOVAL OF BRACING BASED ON LOADS APPLIED AND DESIGN STRENGTH OF CONCRETE.



BUILDBUCK BRACING RECOMMENDATIONS

DATE / REVISION / BY	7-1-23 / 1 / AQ
SCALE	NTS
FILE NAME	1.606 - BK