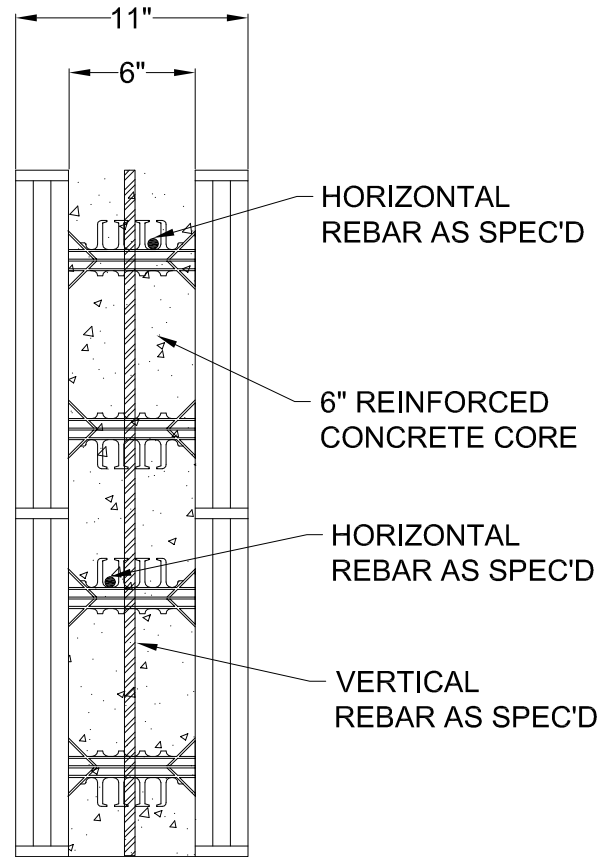


1 OFF CENTER
6 INCH



2 AT CENTER
6 INCH

6 INCH REINFORCING REBAR PLACEMENT

DATE / REVISION / BY	7-2-23 / 1 / AQ
SCALE	NTS
FILE NAME	2.020 - BB600