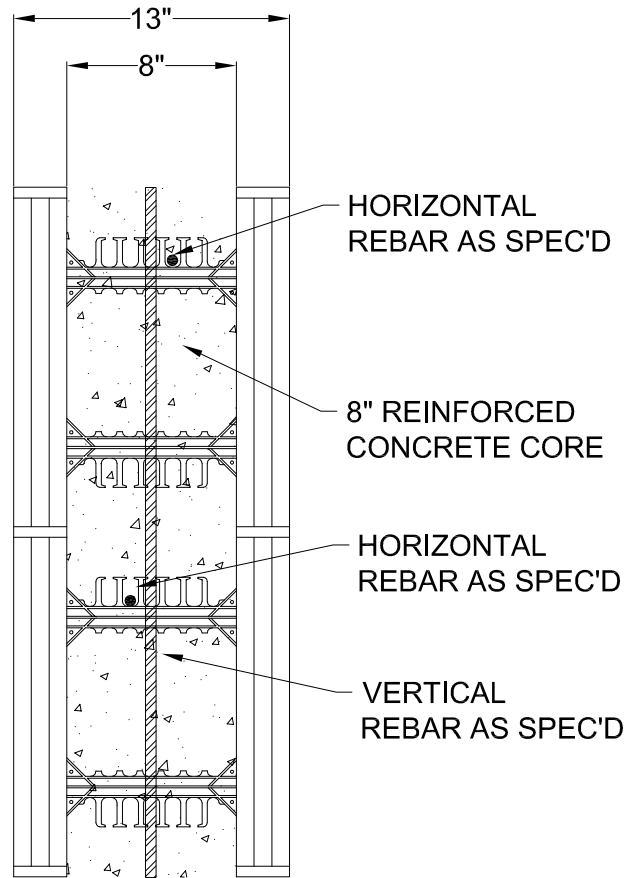


1 VERTICAL BARS
OFF CENTER



2 VERTICAL BARS
AT CENTER

DATE / REVISION / BY	7-2-23 / 1 / AQ
SCALE	NTS
FILE NAME	2.021 - BB800