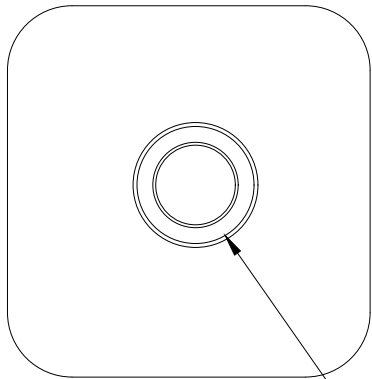
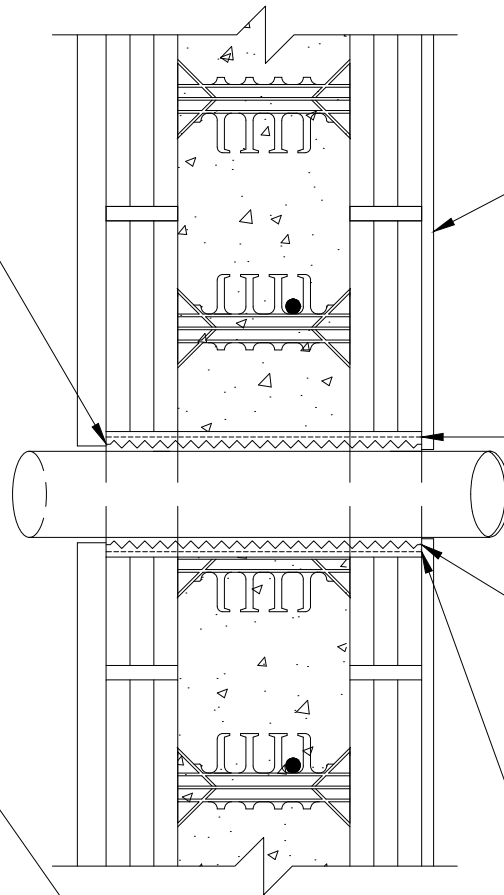


EXTERIOR
NEEDS A
WATERPROOF
SEAL



FACE VIEW



INTERIOR WALL FINISH,
15 MINUTE THERMAL
1/2" GYPSUM BOARD

PIPE SLEEVE,
LARGER THAN PIPE
THAT WILL PASS
THROUGH

OPTIONAL PACK WITH
STEEL WOOL TO PREVENT
RODENT INTRUSION

PACK AND SEAL BETWEEN
SLEEVE AND PASS THROUGH
PIPING WITH AN APPROVED
FIRE STOP SEALANT
(15 MIN. RATING)

1

SERVICE PENETRATION DETAIL

6 INCH

DATE / REVISION / BY	7-2-23 / 1 / AQ
SCALE	NTS
FILE NAME	2.024 - BB600