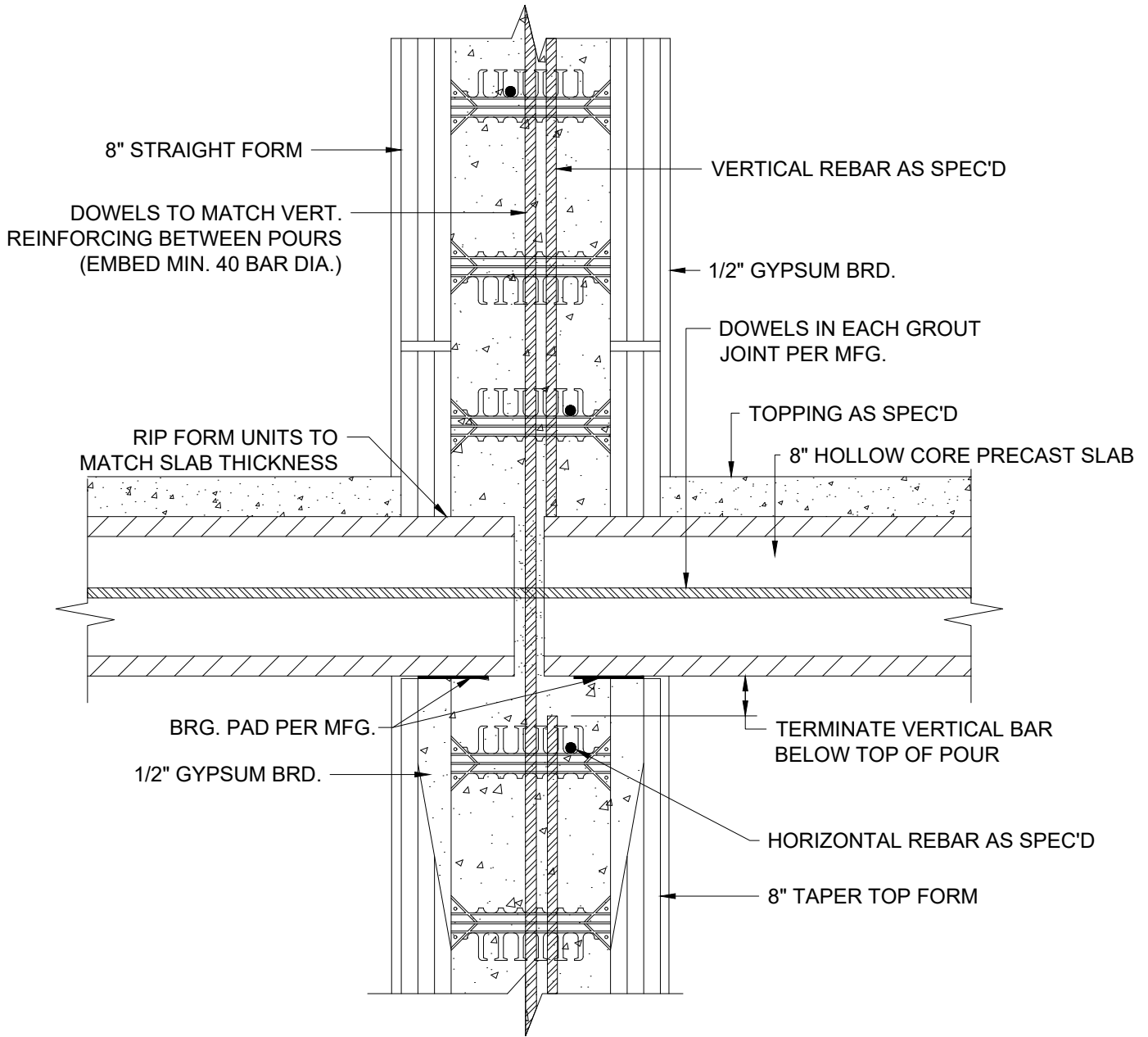


ALL VERTICAL STEEL SHALL BE PLACED IN CENTER OF CORE. BARS ARE SHOWN SEPARATE IN DIAGRAM FOR CLARITY.



1

HOLLOW CORE PRECAST FLOOR SLAB  
8 INCH