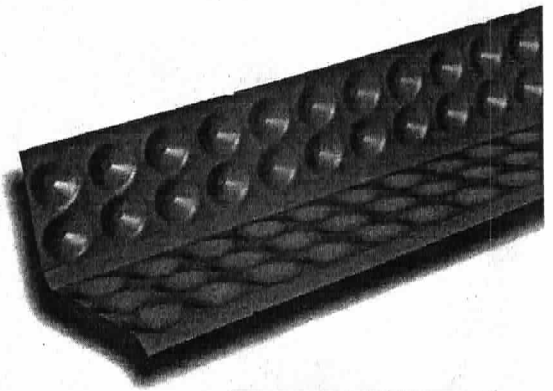
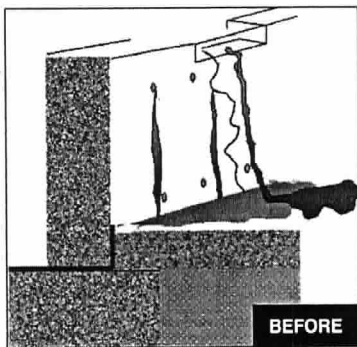


Cactus Board®

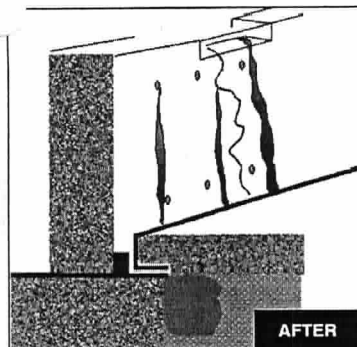
FLOOR EDGING



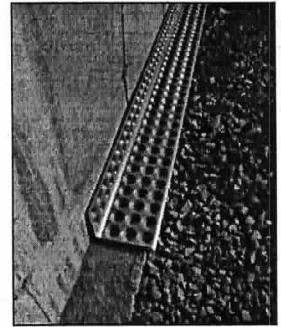
Now, there is a solution for new home builders that is easy, *inexpensive* and warranted for 20 years! **CactusBoard®** and **CactusBoard II®** are unique moldings that form a space between the edge of the basement floor and the wall, and across the footing. This space allows any water leak from the footing/wall joint or the walls to drain down into the stone aggregate under the floor, and then is drained by a sump or daylight gravity drain.



CactusBoard® ensures that the floor stays dry regardless of what happens with the walls or footing drains. Just keep the stone bed under the floor drained, and your basement floor remains dry forever!



CactusBoard® provides a space to drain any leaks from cracks, form ties, window wells, and pipe penetrations – as well as hydrostatic pressure pushing water through at the footing/wall cold joint. Water can then pass over the footing into the stone below. If the floor never touches the wall and footing, no water can ever reach the floor – keeping the homeowner's belongings safe and protected, and you out of the call back.



If your exterior treatment fails due to human or construction error, CactusBoard® will keep the basement floor dry – guaranteed. This means no more costly damage to the homeowner's belongings, and none of your time or money is wasted fixing a wet basement.

Basement®
Systems
Responsible Waterproofing®

1-800-768-0935

Call Basement Systems Inc., the world leader in basement drainage technology, and ask for the **New Construction Department**.

If There's Ever A Problem, The Homeowner Calls Us – Not You!

Just a few minutes spent installing CactusBoard® guarantees dry basement floors with our 20-year warranty. For the price of a front door you can eliminate call backs that cost you time, money – and your hard-earned reputation. Basement Systems is the only company to offer a **dry basement floor** warranty and we can service any warranty issue from one of our 200+ local offices. Our extensive network of industry-leading waterproofing experts fix leaking basements in existing homes everyday, turning wet basements into dry, usable space.

CactusBoard™

Basement Floor Edge Drain System

SPECIFICATIONS

MANUFACTURER: Basement Systems, Inc.
60 Silvermine Road
Seymour, CT 06483
(203) 881-5090

PRODUCT: CactusBoard™
Patented

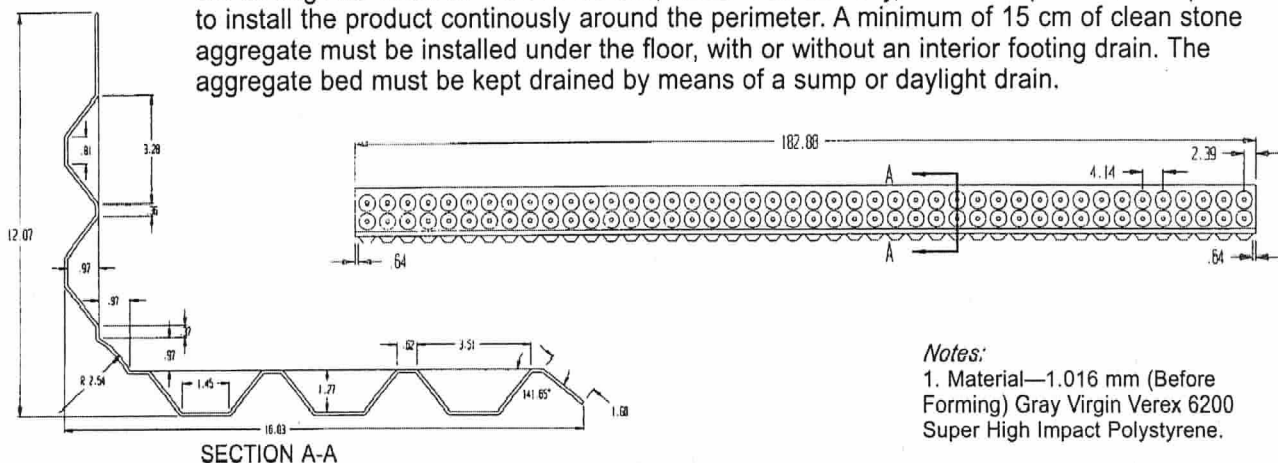
DESCRIPTION: Cactus Board is sub floor perimeter drainage form for new construction basements and other subterranean structures. Cactus Board is a custom designed polystyrene molded form which is fastened to the interior footing/wall joint to create an air space for water from the walls and footing/wall joint to travel across the top of the footing and drain into the aggregate bed under the floor.

USE: Cactus Board is used to form and create a conduit for water seepage from footing/wall joints, block walls and poured concrete walls to cross the top of the footing and drain directly under the floor.

PROPERTIES

- Cactus Board Height 12.07 cm
 - Cactus Board Width 16.03 cm
 - Cactus Board Thickness 1.06 mm (before forming)
 - Cactus Board Lengths 182.88 cm
 - Composition Virgin Verex 6200 Super High Impact Polystyrene
 - Color Gray
 - Important Features CactusBoards design allows it to accept concrete into the floor and wall dimpled cavities, which creates a positive structural contact between the floor/footing and the floor/wall joints. CactusBoards unique design also allows water to flow front to back and side to side and avoid any chance for clogging. CactusBoard also has a 1 cm wall gap opening that will accept wall seepage that runs down the inside foundation wall.
- Joints Joints are overlapped by one dimple or butted.
 - Corners CactusBoard corners are custom made in the field by cutting a wedge in the base section of the material and bending the back into or around the corner.

INSTALLATION PROCEDURES: CactusBoard is set on top of the footing on the inside of the foundation wall with the back of the CactusBoard set against the foundation wall. After the CactusBoard is set in place it is nailed in place with 3 cm masonry nails or other fasteners. Each 1.82 meters section should have a minimum of two nails to hold it in place until the concrete floor is poured. Since CactusBoard™ flows primarily across the footing and down into the stone bed, rather than laterally, it is not important, or required to install the product continuously around the perimeter. A minimum of 15 cm of clean stone aggregate must be installed under the floor, with or without an interior footing drain. The aggregate bed must be kept drained by means of a sump or daylight drain.



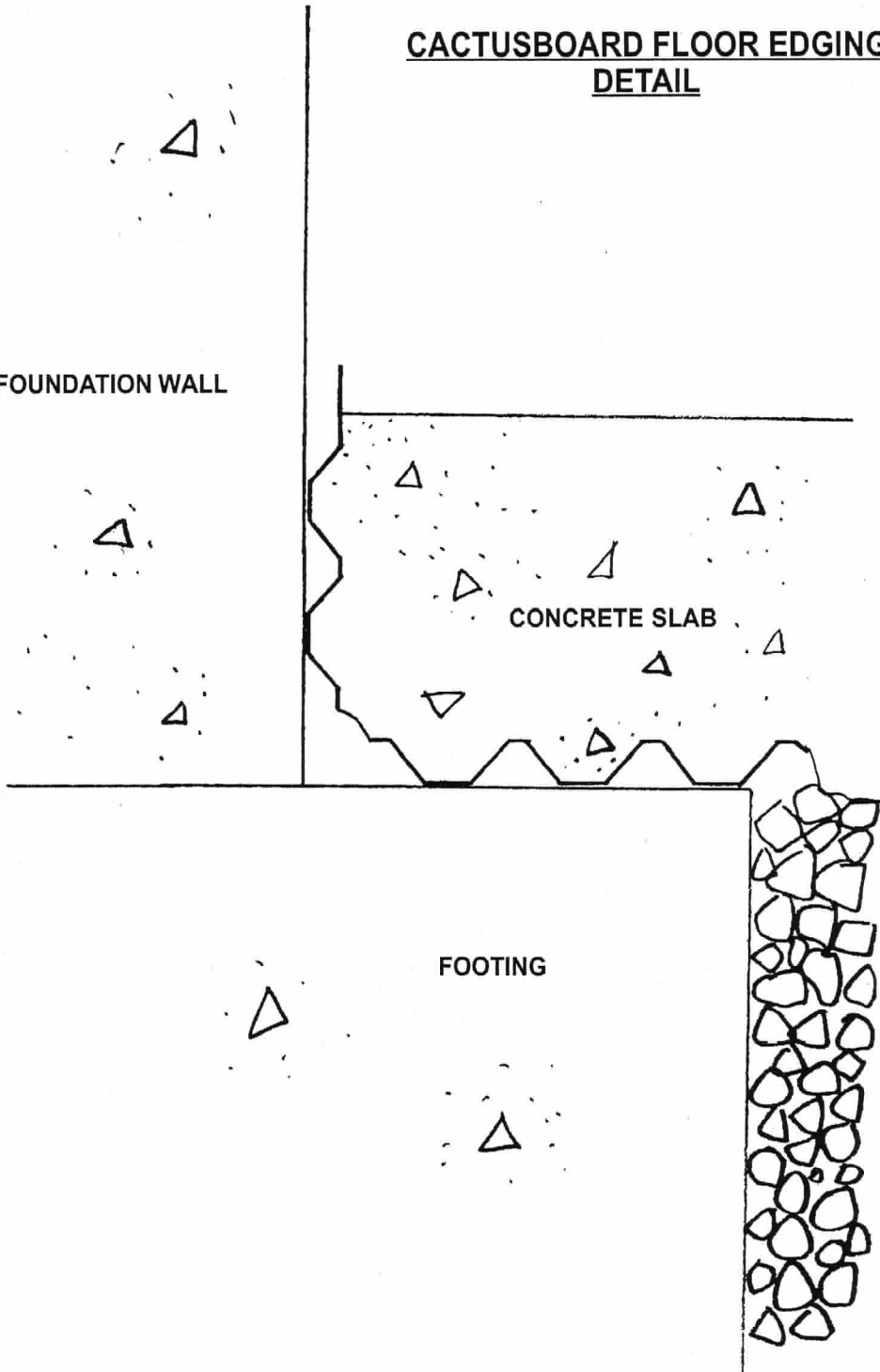
Notes:
1. Material—1.016 mm (Before Forming) Gray Virgin Verex 6200 Super High Impact Polystyrene.

CACTUSBOARD FLOOR EDGING
DETAIL

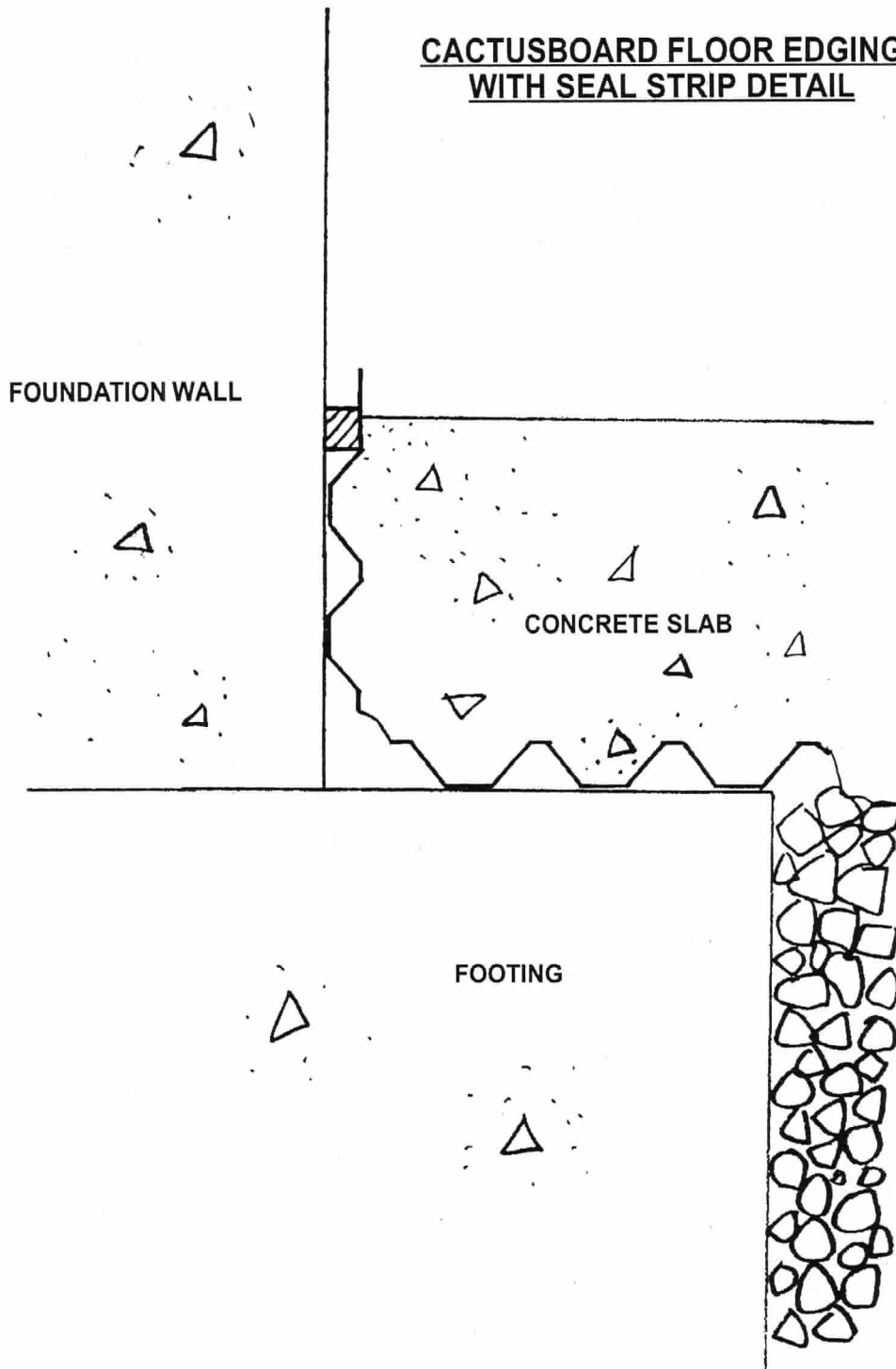
FOUNDATION WALL

CONCRETE SLAB

FOOTING



CACTUSBOARD FLOOR EDGING
WITH SEAL STRIP DETAIL



Cactus Board

**Basement
Systems**
Responsible Waterproofing

INSTALLATION TIPS

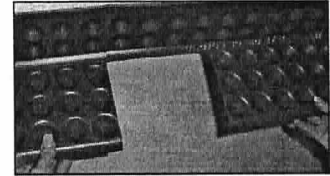
(130' should take about 15 minutes. It's very easy, but you have to do it right, so it looks good after the floor is poured.)

1. SCRAPE & SWEEP DEBRIS FROM FOOTING.

2. CUT ALL CORNERS FIRST.

- **INSIDE CORNERS** - Cut 4 rows of dimples out as shown, fold & set on footing in corner. TACK SNUGLY to keep it in the corner.
- **OUTSIDE CORNERS** - Cut straight line between dimples on lower flange, fold open & wrap around corner on footing. TACK SNUGLY.
- TACK using 1¹/₄" masonry nail - make sure corner is snug.

Cut 4 rows of dimples out for inside corner.

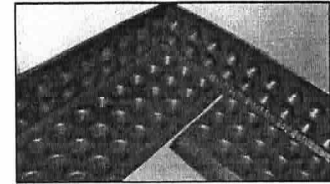


3. LAY 6 FT SECTIONS BETWEEN CORNER PIECES -

- Overlap lengths by one dimple, left over right.
- Tack in place.

4. FILL IN GAPS SHORTER THAN 6 FT -

- The dimples on the last piece will not line up to overlap—so just butt the last joint together without overlapping by one dimple.



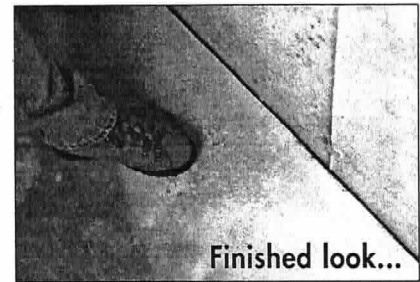
inside corner folded.

5. TACK ALL PIECES SNUGLY TO FOOTING -

- One nail at the end of each piece in center dimple.

DO NOT KICK CACTUSBOARD INTO WALL AS WHEN LAYING CARPET.

Allow dimples to touch wall and footing naturally.



Finished look...

Tips

DO NOT FORCE SECTIONS TO MEET.

This will only pull CactusBoard from wall & make it look uneven.

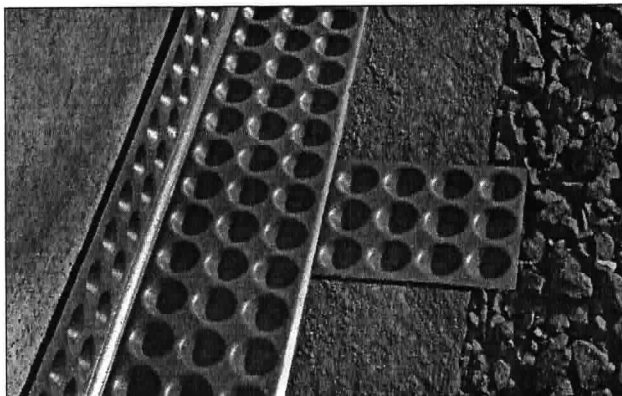
DO NOT EXPECT LAST JOINT TO OVERLAP ONE DIMPLE.

Cut to size between sections instead, making a butt joint

Remember, the weight of the floor slab against the CactusBoard naturally results in a straight, finished look.

If footings are more than 6 inches wide - Modify a piece to make an extension to drain to the stone:

1. Measure width of footing.
2. Cut the back off the "L" shape so you have a flat bottom piece.
3. Slide piece under the installed CactusBoard past the edge of the footing & tack in place.
4. Repeat every 25 feet or once per wall.



If footings are not level:

1. Snap a line for the top of the CactusBoard.
2. Tack CactusBoard to wall.
2. Place gravel on footing & under Cactusboard.

Using CactusBoard with Seal strip:

1. Peel back seal strip where 6' sections overlap.
2. Tuck strip behind the flange so dimples seat together.

Keeping concrete out from behind the CactusBoard when pouring floor is important and not hard to do.

Basement Systems Inc., Customer Service Center: 60 Silvermine Road, Seymour, CT 06483 • 1-800-768-0935

CactusBoard™

Basement Floor Edge Drain System

SPECIFICATIONS

MANUFACTURER: Basement Systems, Inc.
60 Silvermine Road
Seymour, CT 06483
(203) 881-5090

PRODUCT: CactusBoard™
Patent # D456,911
Please Reference CCMC# XXXX

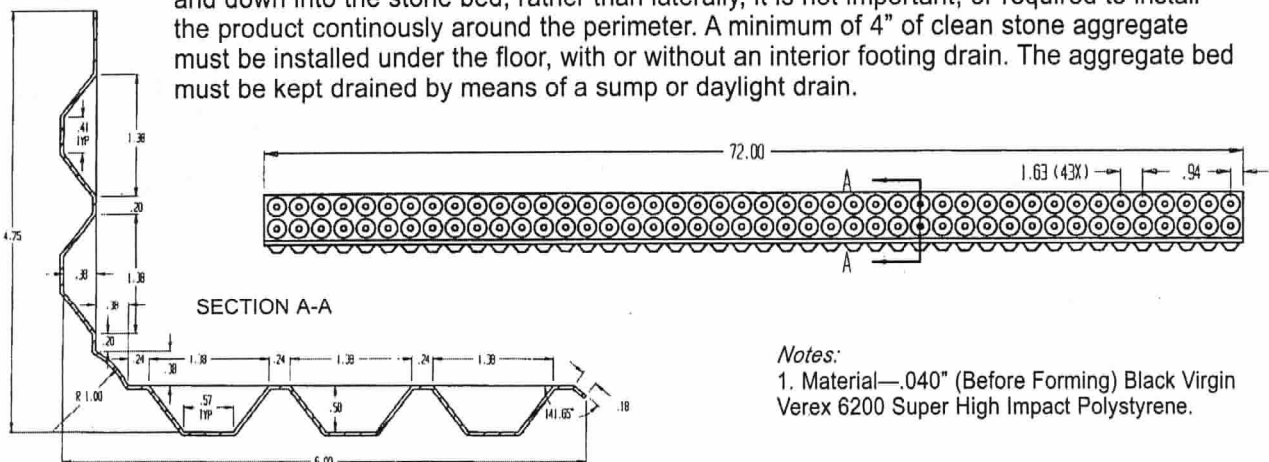
DESCRIPTION: Cactus Board is sub floor perimeter drainage form for new construction basements and other subterranean structures. Cactus Board is a custom designed polystyrene molded form which is fastened to the interior footing/wall joint to create an air space for water from the walls and footing/wall joint to travel across the top of the footing and drain into the aggregate bed under the floor.

USE: Cactus Board is used to form and create a conduit for water seepage from footing/wall joints, block walls and poured concrete walls to cross the top of the footing and drain directly under the floor.

PROPERTIES

- Cactus Board Height 4.75"
 - Cactus Board Width 6.00"
 - Cactus Board Thickness .040" (before forming)
 - Cactus Board Lengths 6'-0"
 - Composition Virgin Verex 6200 Super High Impact Polystyrene
 - Color Black
 - Important Features CactusBoard's design allows it to accept concrete into the floor and wall dimpled cavities, which creates a positive structural contact between the floor/footing and the floor/wall joints. CactusBoard's unique design also allows water to flow front to back and side to side and avoid any chance for clogging. CactusBoard also has a 3/8" wall gap opening that will accept wall seepage that runs down the inside foundation wall.
- Joints Joints are overlapped by one dimple or butted.
 - Corners CactusBoard corners are custom made in the field by cutting a wedge in the base section of the material and bending the back into or around the corner.

INSTALLATION PROCEDURES: CactusBoard is set on top of the footing on the inside of the foundation wall with the back of the CactusBoard set against the foundation wall. After the CactusBoard is set in place it is nailed in place with 1" masonry nails or other fasteners. Each 6' section should have a minimum of two nails to hold it in place until the concrete floor is poured. Since CactusBoard™ flows primarily across the footing and down into the stone bed, rather than laterally, it is not important, or required to install the product continuously around the perimeter. A minimum of 4" of clean stone aggregate must be installed under the floor, with or without an interior footing drain. The aggregate bed must be kept drained by means of a sump or daylight drain.



Notes:
1. Material—.040" (Before Forming) Black Virgin Verex 6200 Super High Impact Polystyrene.